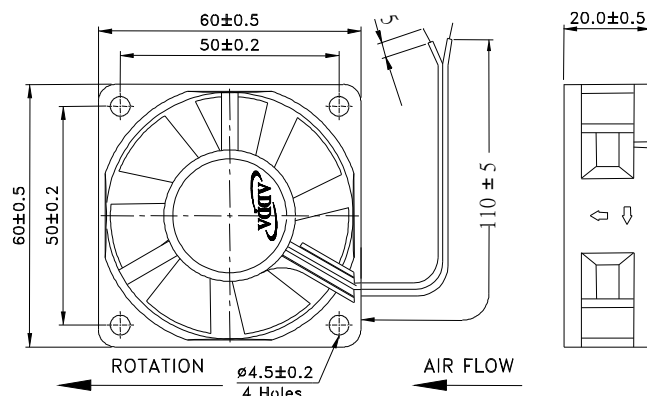


◀60X60X20mm Series▶ External Dimensions



Frame: Plastic(UL:94v-0)
 Impeller: Plastic(UL:94v-0)
 Bearing: Hypro bearing
 Lead wire: UL1061AWG26
 OPERATING TEMP*:-10C~70C
 VOLTAGE AVAILABLE: 5V, 12V, 24V
 *:-10C~60C for fans with sleeve/ball combination bearings.

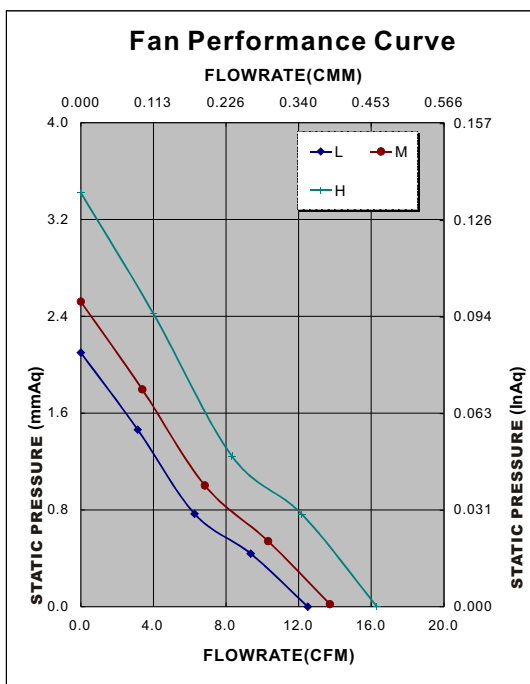
Spot cooling, also suitable for small space requirements, laptops PC and notebook, etc.,

Specifications(Nominal)

*: Noise is measured at the distance of one(1) meter from the axis of intake.

Frame size (mm)	Model No.	Bearing System Type	Rated Voltage (v)	Rated Current (A)	Rated Power (W)	Rated Speed (rpm)	Maximum AirFlow		Maximum Pressure		Noise Level (dB/A)	Weight (g)
							(CMM)	(CFM)	(InAq)	(mmAq)		
60X60X20	AD0605MB-C70GL		5	0.18	0.90	3900	0.386	13.72	0.101	2.52	26.4	49
	AD0605MB-C71GL		5	0.24	1.20	3900	0.386	13.72	0.101	2.52	26.4	
	AD0605HB-C70GL		5	0.3	1.50	4500	0.459	16.31	0.137	3.42	31.0	
	AD0605HB-C71GL		5	0.3	1.50	4500	0.459	16.31	0.137	3.42	31.0	
	AD0612LB-C70GL		12	0.08	0.96	3500	0.352	12.50	0.084	2.10	23.5	
	AD0612LB-C71GL		12	0.08	0.96	3500	0.352	12.50	0.084	2.10	23.5	
	AD0612MB-C70GL		12	0.13	1.56	3900	0.386	13.72	0.101	2.52	26.4	
	AD0612MB-C71GL		12	0.13	1.56	3900	0.386	13.72	0.101	2.52	26.4	
	AD0612HB-C70GL		12	0.16	1.92	4500	0.459	16.31	0.137	3.42	31.0	
	AD0612HB-C71GL		12	0.16	1.92	4500	0.459	16.31	0.137	3.42	31.0	
	AD0624LB-C70GL		24	0.07	1.68	3500	0.352	12.50	0.084	2.10	23.5	
	AD0624MB-C70GL		24	0.08	1.92	3900	0.386	13.72	0.101	2.52	26.4	
	AD0624HB-C70GL		24	0.09	2.16	4500	0.459	16.31	0.137	3.42	31.0	
	AD0624HB-C71GL		24	0.09	2.16	4500	0.459	16.31	0.137	3.42	31.0	

Specifications subject to change without notice.



*Motor protective circuit and third lead wire functions

0	1	2	3	4	6	7	8	9	A	B
✓	✓	✓	✓		✓					

*Safety approvals

✓	✓	✓	✓	✓	✓

