

Controlled Fan

92mm

92

25mm thick  
with an external thermistor/  
with a built-in thermistor



General Specifications

- Material ..... Frame: Plastics (Flammability: UL94V-0), Impeller: Plastics (Flammability: UL94V-1)
- Life Expectancy ..... Varies for each model (L10: Survival rate: 90% at 60°C, rated voltage, and continuously run in a free air state)
- Lead Wire ..... ⊕red ⊖black (Control) brown (Only for external thermistor type)
- Fail-safe ..... The motor becomes high speed when the thermistor is unable to detect the temperature in case of open or short circuit etc. (Models equipped with a pulse sensor are excluded.)
- Storage Temperature ..... -30°C to +70°C (Non-condensing)

92mm × 25mm thick (Mass : 150g)

Specifications with an external thermistor

Model No.	Rated Voltage (V)	Operating Voltage Range (V)	Rated Current (A)	Rated Input (W)	Rated Speed (min <sup>-1</sup> )	Air Flow (m <sup>3</sup> /min) (CFM)		Static Pressure (Pa) (inchH <sub>2</sub> O)		SPL (dB[A])	Operating Temperature Range (°C)	Life Expectancy (h)
109P0912T4H12(121)	12	10.2 to 13.8	0.2	2.4	2,850	1.45	51.2	45.1	0.181	33	-10 to +60	40,000
			0.1	1.2	1,400	0.71	25.0	11.3	0.045	18		

Note: The top row gives characteristics shown when the thermistor temperature is 35°C, while the bottom row gives characteristics shown when the thermistor temperature is 28°C.

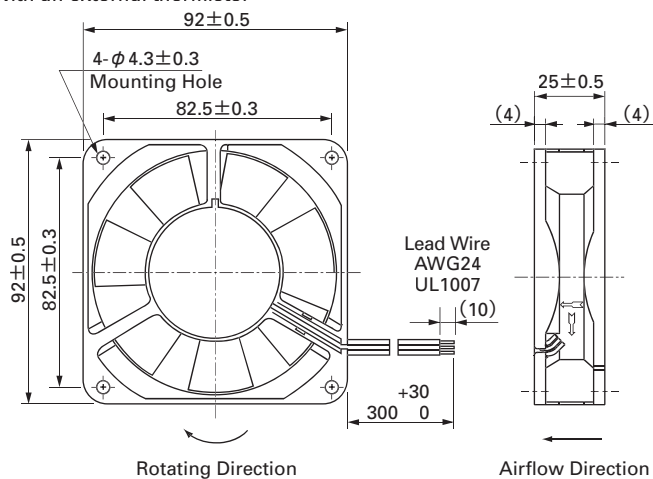
with a built-in thermistor

Model No.	Rated Voltage (V)	Operating Voltage Range (V)	Rated Current (A)	Rated Input (W)	Rated Speed (min <sup>-1</sup> )	Air Flow (m <sup>3</sup> /min) (CFM)		Static Pressure (Pa) (inchH <sub>2</sub> O)		SPL (dB[A])	Operating Temperature Range (°C)	Life Expectancy (h)
109P0912T4H122(123)	12	10.2 to 13.8	0.2	2.4	3,000	1.52	53.7	50.0	0.201	35	-10 to +60	40,000
			0.1	1.2	1,400	0.71	25.0	11.3	0.045	18		

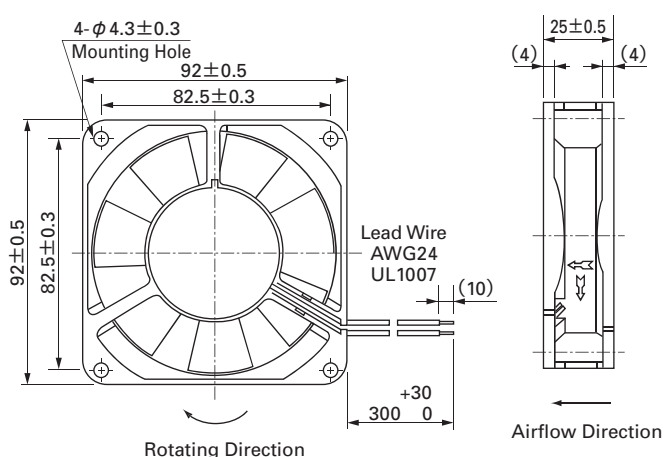
Note: The top row gives characteristics shown when the temperature is 40°C, while the bottom row gives characteristics shown when the temperature is 30°C.

Dimensions (Unit : mm)

with an external thermistor



with a built-in thermistor



Reference dimension of mounting holes and vent opening (Unit : mm)

