

DC Fan

φ172mm

San Ace 172

25mm thick(Sidecut type)
51mm thick(Sidecut type GV type)
51mm thick(Sidecut type), 51mm thick(Round type)



General Specifications With a pulse sensor Specifications for pulse sensors ⇨ Refer to Page 239

*Please inquire about other specifications.

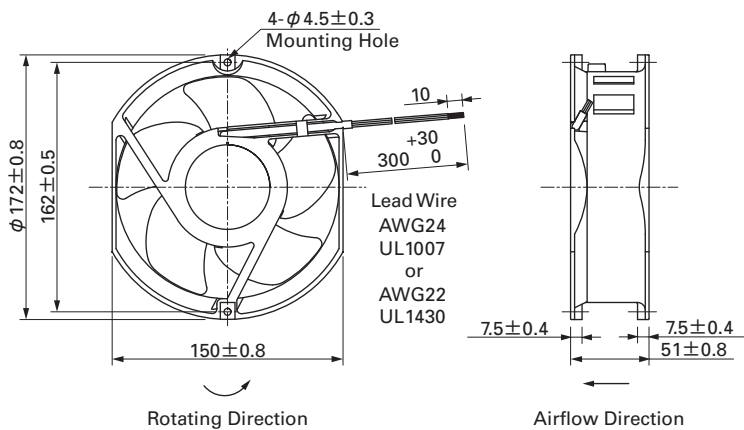
- Material Frame: Aluminum, Impeller:Plastics (Flammability: UL94V-1)
- Life ExpectancyVaries for each model (L10:Survival rate:90% at 60°C ,
rated voltage, and continuously run in a free air state)
- Lead Wire⊕red ⊖black Sensor yellow
- Storage Temperature ...-30°C to +70°C (Non-condensing)

φ172mm×51mm thick (Mass : 760g) SideCut type

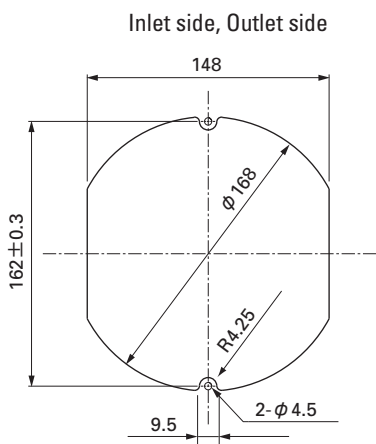
Specifications

Model No.	Rated Voltage (V)	Operating Voltage Range (V)	Rated Current (A)	Rated Input (W)	Rated Speed (min ⁻¹)	Air Flow (m ³ /min) (CFM)	Static Pressure (Pa) (inchH ₂ O)	SPL (dB[A])	Operating Temperature Range (°C)	Life Expectancy (h)
109E5712K501	12	10.2 to 13.8	2.9	34.8	4,100	8.5 300	243.0 0.976	60	-10 to +60	40,000
109E5712H501			1.2	14.4	3,050	6.4 226	137.2 0.551	52		
109E5712M501			0.48	5.76	2,000	4.2 148	67.6 0.271	41		
109E5724C501	24	20.4 to 27.6	2.3	55.2	4,800	9.9 350	308.0 1.237	66		
109E5724K501			1.3	31.2	4,100	8.5 300	243.0 0.976	60		
109E5724H501			0.58	13.92	3,050	6.4 226	137.2 0.551	52		
109E5724M501	0.2	4.8	2,000	4.2 148	67.6 0.271	41				
109E5748C501	48	40.8 to 55.2	1.2	57.6	4,800	9.9 350	308.0 1.237	66	-10 to +60	
109E5748K501			0.7	33.6	4,100	8.5 300	243.0 0.976	60		
109E5748H501			0.28	13.44	3,050	6.4 226	137.2 0.551	52	-10 to +70	
109E5748M501	0.11	5.28	2,000	4.2 148	67.6 0.271	41				

Dimensions (Unit : mm)



Reference dimension of mounting holes and vent opening (Unit : mm)



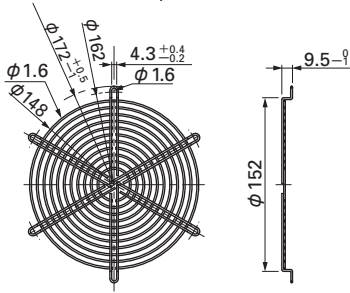
Options (Unit : mm)

Finger guards

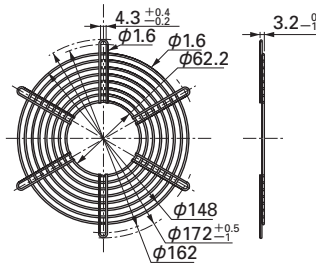
Model : 109-319E Surface treatment : Nickel-chrome plating (silver) Color
 : 109-319H : Cation electropainting (black)

Model : 109-320 Surface treatment : Nickel-chrome plating (silver) Color

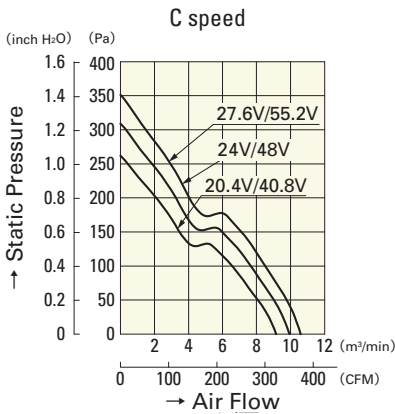
Inlet side, Outlet side



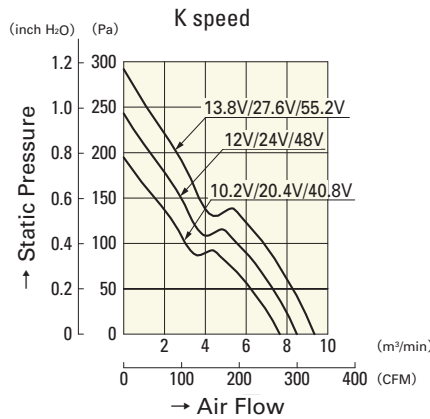
Outlet side



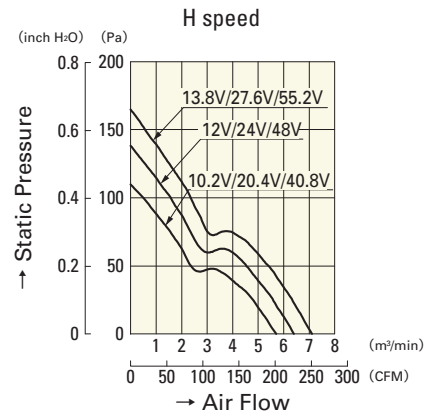
Air Flow and Static Pressure Characteristics



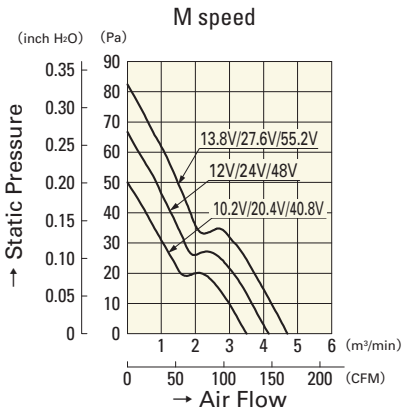
109E5724C501
109E5748C501



109E5712K501
109E5724K501
109E5748K501



109E5712H501
109E5724H501
109E5748H501



109E5712M501
109E5724M501
109E5748M501