

Thermal Speed Controlled Fan

120mm

San Ace 120

25mm thick, 38mm thick
with an external thermistor/
with a built-in thermistor



General Specifications

- Material Frame: Plastics (Flammability: UL94V-0), Impeller: Plastics (Flammability: UL94V-1)
- Life Expectancy Varies for each model (L10: Survival rate: 90% at 60°C, rated voltage, and continuously run in a free air state)
- Lead Wire ⊕red ⊖black (Control) brown (Only for external thermistor type)
- Fail-safe The motor becomes high speed when the thermistor is unable to detect the temperature in case of open or short circuit etc.
- Storage Temperature -30°C to +70°C (Non-condensing)

120mm × 38mm thick (Mass : 260g)

Specifications with an external thermistor

Model No.	Rated Voltage (V)	Operating Voltage Range (V)	Rated Current (A)	Rated Input (W)	Rated Speed (min ⁻¹)	Air Flow (m ³ /min) (CFM)	Static Pressure (Pa) (inchH ₂ O)	SPL (dB[A])	Operating Temperature Range (°C)	Life Expectancy (h)
109R1212T1H12(121)	12	10.2 to 13.8	0.48	5.75	2,600	2.9 102.4	64.7 0.260	39	-10 to +60	40,000
			0.23	2.76	1,300	1.4 49.4	16.2 0.065	24		

Note: The top row gives characteristics shown when the thermistor temperature is 35°C, while the bottom row gives characteristics shown when the thermistor temperature is 28°C.

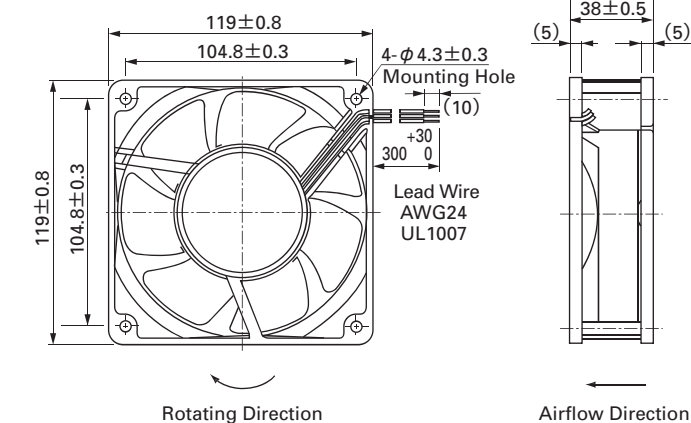
with a built-in thermistor

Model No.	Rated Voltage (V)	Operating Voltage Range (V)	Rated Current (A)	Rated Input (W)	Rated Speed (min ⁻¹)	Air Flow (m ³ /min) (CFM)	Static Pressure (Pa) (inchH ₂ O)	SPL (dB[A])	Operating Temperature Range (°C)	Life Expectancy (h)
109R1212T1H122(123)	12	10.2 to 13.8	0.48	5.75	2,600	2.9 102.4	64.7 0.260	39	-10 to +60	40,000
			0.23	2.76	1,300	1.4 49.4	16.2 0.065	24		

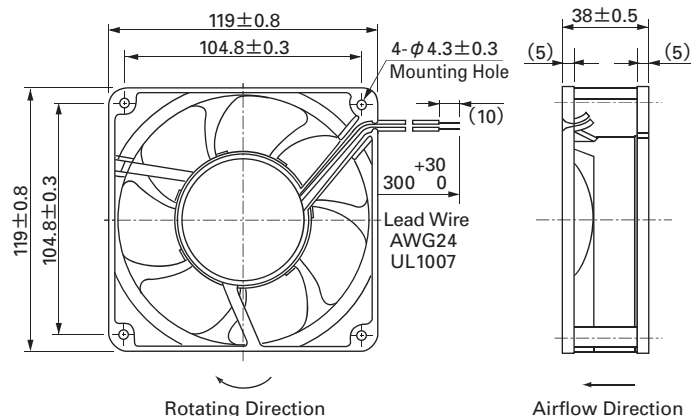
Note: The top row gives characteristics shown when the emperature is 40°C, while the bottom row gives characteristics shown when the temperature is 30°C.

Dimensions (Unit : mm)

with an external thermistor



with a built-in thermistor



Reference dimension of mounting holes and vent opening (Unit : mm)

