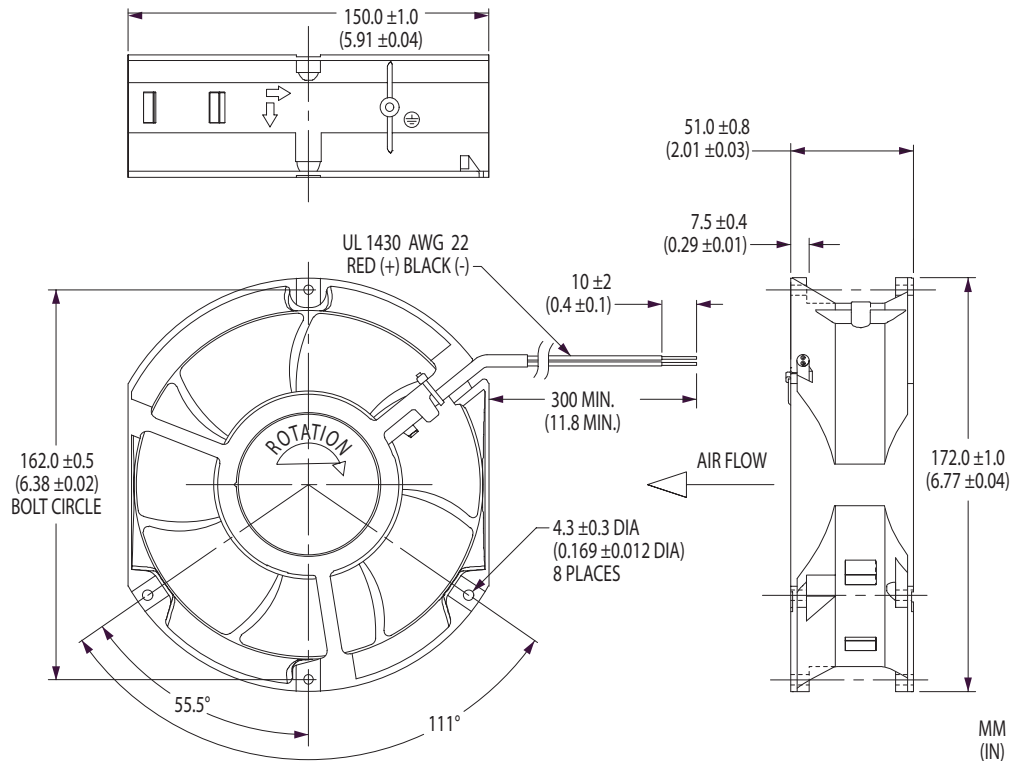


**172x51 mm**



**X17L M7**

- ✓ Feedback-Governed, Speed-Stable
- ✓ Air Flow Ratings to 410 CFM
- ✓ Performance Characteristics Enabled by 3-, 5- or 7-Blade Impellers
- ✓ Wide Variety of Monitor and Control Options and Signal Combinations
- ✓ Permanently Lubricated Ball Bearings



**Tube Axial Cooling Fans**

Model	Air Flow (CFM)	Max. Static Pressure (inwg)	Operating Voltage		Operating Current (A)	Input Power (W)	Fan Speed (rpm)	Sound Pressure (dBA)	Operating Temp.		L10 Life† (hours)
			Nominal (V)	Range (V)					Min. (°C)	Max. (°C)	
<b>Seven-Blade Impeller</b>											
X17L24BGM7-01	410	1.70	24	12.0-27.6	3.10	74.4	5300	66.3	-10	+70	70,000
X17L48BGM7-01	410	1.98	48	40.8-55.2	1.60	76.8	5300	66.3	-10	+70	70,000
X17L24BHM7-01	300	1.30	24	12.0-27.6	1.20	28.8	3900	60.8	-10	+70	—
<b>Five-Blade Impeller</b>											
X17L24BGM5-01	350	1.85	24	12.0-27.6	2.20	52.8	5300	65.9	-10	+70	70,000
X17L24BHM5-01	250	1.33	24	12.0-27.6	0.95	22.8	3900	57.5	-10	+70	—
<b>Three-Blade Impeller</b>											
X17L48BGM3-01	390	2.13	48	40.8-55.2	1.27	61.0	5400	68.0	-10	+70	70,000
X17L48BHM3-01	360	1.70	48	40.8-55.2	0.94	45.1	4900	63.5	-10	+70	—

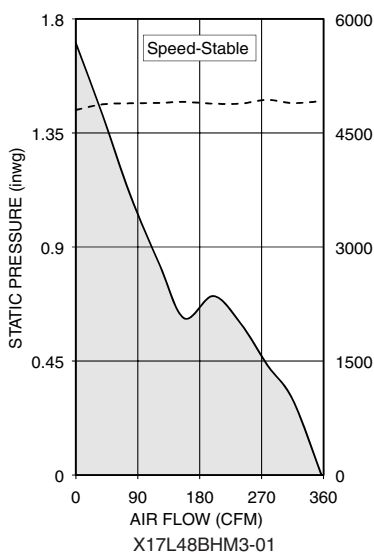
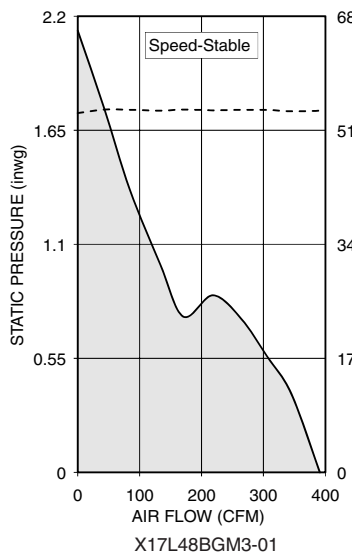
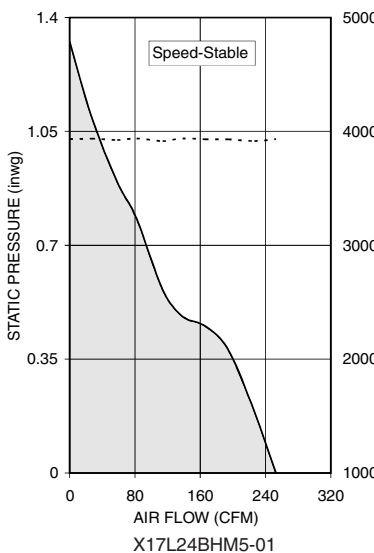
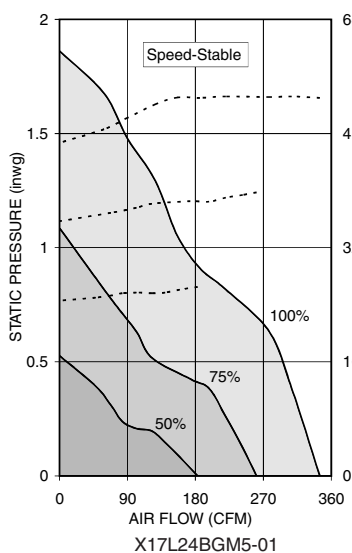
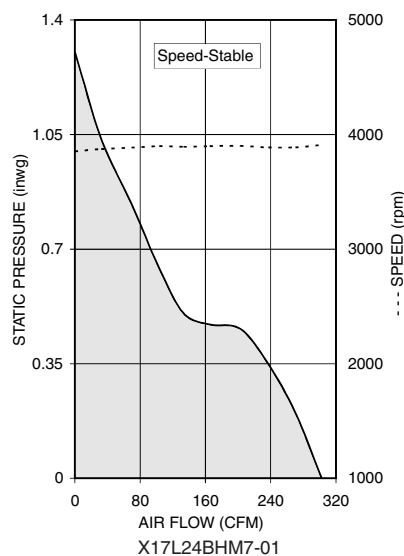
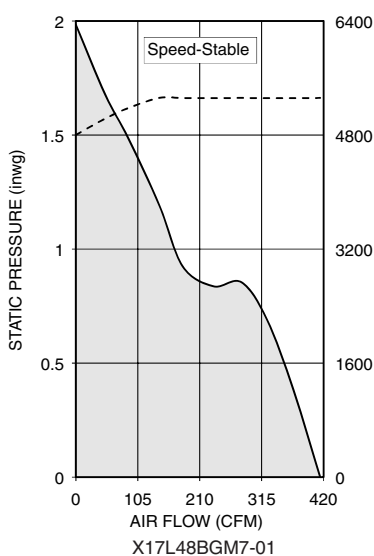
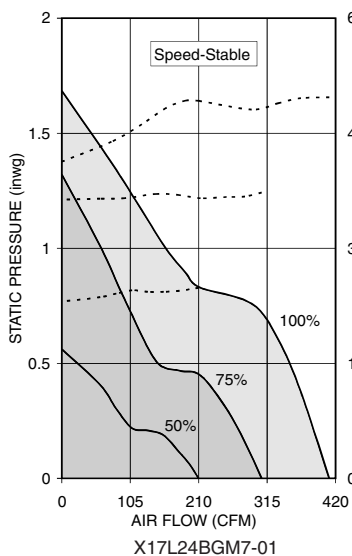
Air flow, current, speed and sound pressure ratings are at nominal operating voltage and zero static pressure. Current and power ratings are average expected values under those conditions. † L10 bearing life expectancy at T<sub>A</sub> = +40°C.™ UltraFlo is a brand trademark of Nidec Corporation. N/A/JBA

**Noise Power Emission Levels\***

Operating Voltage (V)	Fraction of Max. Air Flow	Fan Speed (rpm)	Static Pressure (inwg)	NPEL (Bels)
<b>X17L24BGM7</b>				
27.6	100%	5300	0	8.0
	80%	5210	0.62	8.0
	20%	4730	1.31	8.3
24.0	100%	5300	0	8.0
	80%	5210	0.62	8.0
	20%	4730	1.31	8.3
12.0	100%	3050	0	6.6
	80%	2990	0.20	6.6
	20%	2985	0.58	7.2
<b>X17L24BGM5</b>				
27.6	100%	5300	0	7.6
	80%	5210	0.63	7.6
	20%	4730	1.60	8.4
24.0	100%	5300	0	7.6
	80%	5210	0.63	7.6
	20%	4730	1.60	8.4
12.0	100%	3650	0	6.6
	80%	3555	0.27	6.8
	20%	3370	0.77	7.5

# UltraFlo

## 172x51mm

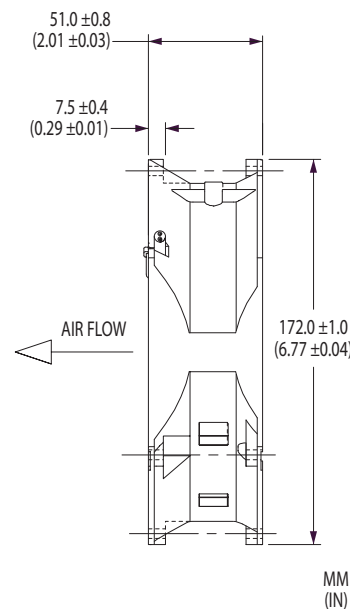
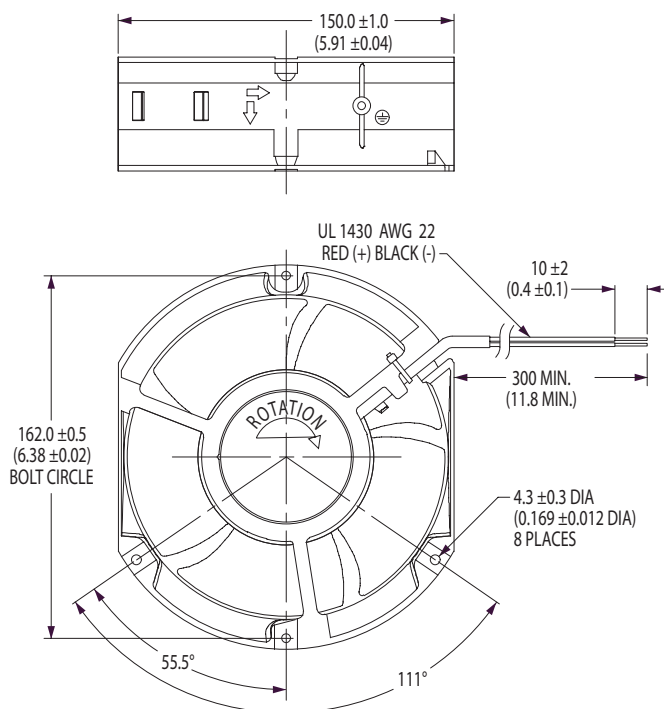


UltraFlo

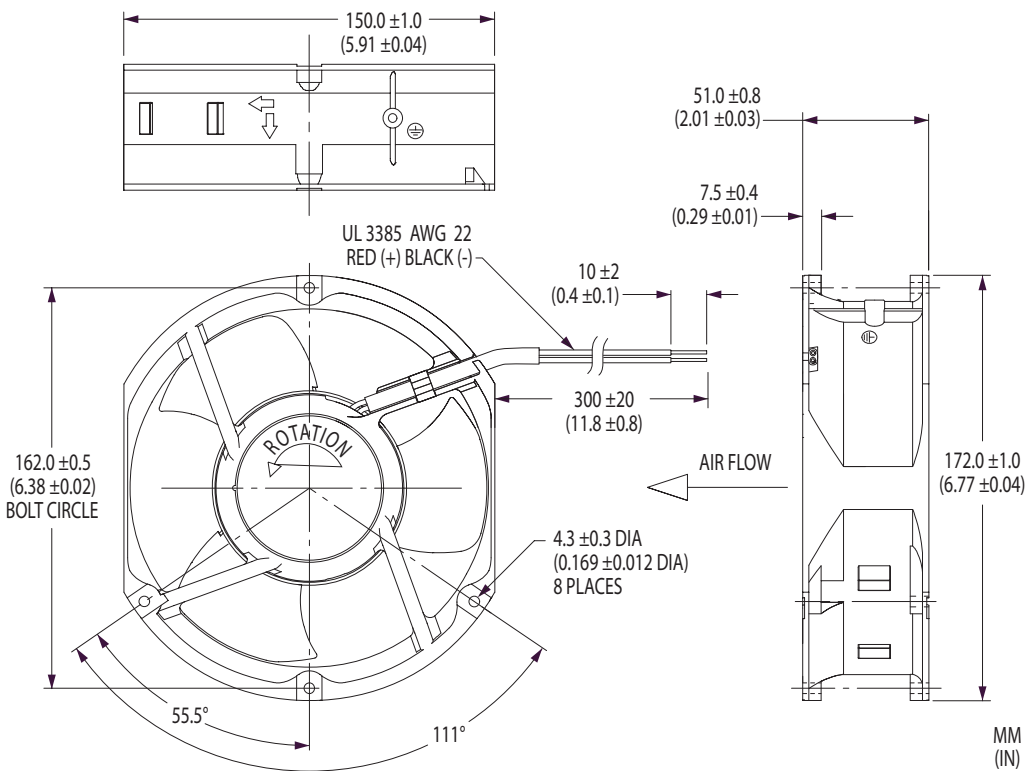
172x51mm



X17L M5



MM  
(IN)



X17L M3

MM  
(IN)