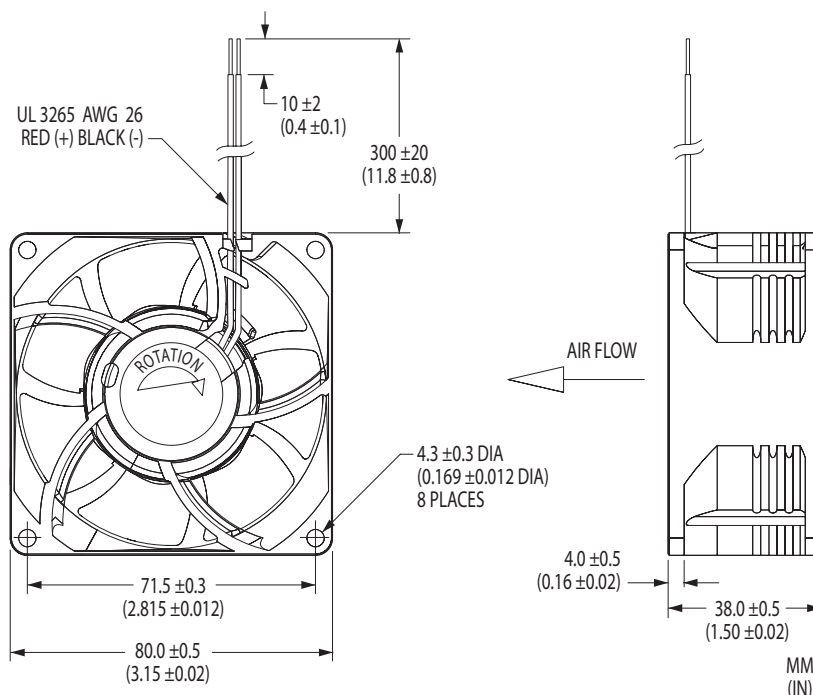


**UltraFlo™**

**80x38mm**



**H80E Series**

- ✓ Free-Running and Feedback-Governed, Speed-Stable Models
- ✓ Wide Variety of Monitor and Control Options and Signal Combinations
- ✓ Permanently Lubricated Dual Ball Bearings

**Hybrid Axial Cooling Fans**

Model	Air Flow (CFM)	Max. Static Pressure (inwg)	Operating Voltage		Operating Current (A)	Input Power (W)	Fan Speed (rpm)	Sound Pressure (dBA)	Operating Temp.		L10 Life† (hours)
			Nominal (V)	Range (V)					Min. (°C)	Max. (°C)	
<b>Speed-Stable</b>											
H80E12BUA7-01	108	1.51	12	7.0-13.8	1.60	19.2	8000	60.0	-10	+70	70,000
H80E12BGA7-01	85	0.94	12	7.0-13.8	0.90	10.8	6500	54.0	-10	+70	—
H80E12BHA7-01	74	0.82	12	7.0-13.8	0.55	6.6	5500	49.0	-10	+70	—
H80E12BMA7-01	64	0.56	12	7.0-13.8	0.40	4.8	4800	46.0	-10	+70	—
H80E12BLA7-01	57	0.44	12	7.0-13.8	0.30	3.6	4250	43.5	-10	+70	—
<b>Free-Running</b>											
H80E12BUA7-51	108	1.39	12	7.0-13.8	1.60	19.2	8000	60.0	-10	+70	70,000
H80E12BGA7-51	85	0.95	12	7.0-13.8	0.90	10.8	6500	54.0	-10	+70	—
H80E12BHA7-51	74	0.68	12	7.0-13.8	0.55	6.6	5500	49.0	-10	+70	—
H80E12BMA7-51	64	0.52	12	7.0-13.8	0.40	4.8	4800	46.0	-10	+70	—
H80E12BLA7-51	57	0.42	12	7.0-13.8	0.30	3.6	4250	43.5	-10	+70	—

Air flow, current, speed and sound pressure ratings are at nominal operating voltage and zero static pressure. Current and power ratings are average expected values under those conditions. † L10 bearing life expectancy at T<sub>A</sub> = +40°C.™ UltraFlo is a brand trademark of Nidec Corporation.

**Noise Power Emission Levels\***

Operating Voltage (V)	Fraction of Max. Air Flow	Fan Speed (rpm)	Static Pressure (inwg)	NPEL (Bels)
<b>Speed-Stable H80E12BUA7</b>				
13.8	100%	7950	0	7.5
	80%	7945	0.40	7.3
	20%	7820	1.10	8.0
12.0	100%	7950	0	7.5
	80%	7945	0.40	7.3
	20%	7820	1.10	8.0
7.0	100%	5640	0	6.4
	80%	5615	0.21	6.3
	20%	5459	0.52	7.0
<b>Free-Running H80E12BUA7</b>				
13.8	100%	8570	0	7.6
	80%	8500	0.43	7.3
	20%	8480	1.25	7.9
12.0	100%	8000	0	7.5
	80%	7970	0.38	7.2
	20%	7650	0.99	7.8
7.0	100%	5310	0	6.1
	80%	5230	0.14	6.0
	20%	5140	0.47	6.8

**80x38mm**



**H80E Series**

