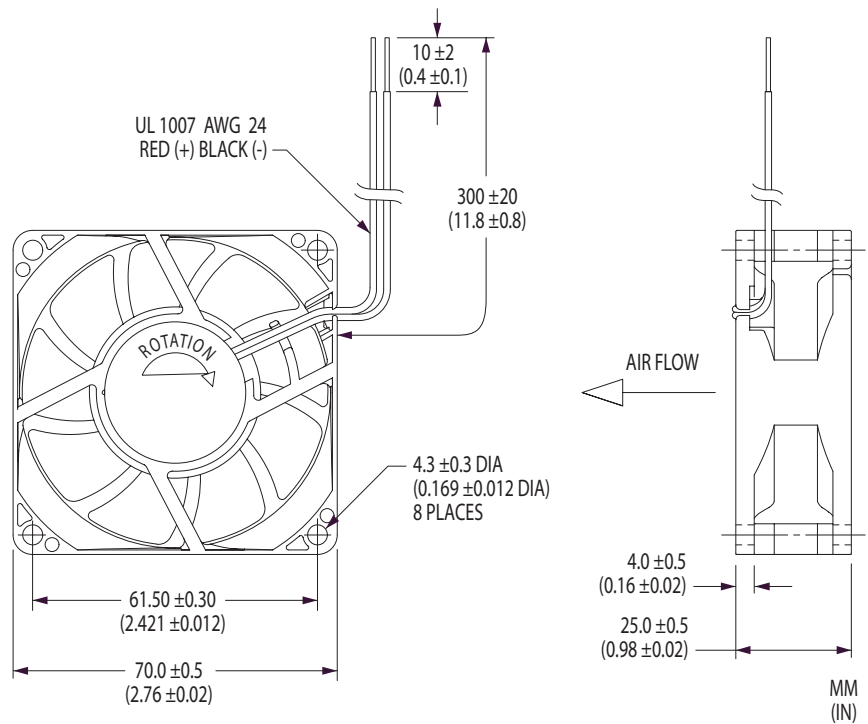


70x25mm



T70T Series

- ✓ Durable, Magnetically Stabilized NBRX Sleeve-Bearing Design
- ✓ Current-Limit Protection
- ✓ Optional Open-Collector Tachometer or Locked Rotor Alarm
- ✓ Plastic Housing and Impeller Rated V-0



Tube Axial Cooling Fans

Model	Air Flow (CFM)	Max. Static Pressure (inwg)	Operating Voltage		Operating Current (A)	Input Power (W)	Fan Speed (rpm)	Fan Sound Pressure (dBA)	Operating Temp.		L10 Life† (hours)
			Nominal (V)	Range (V)					Min. (°C)	Max. (°C)	
T70T12MHA9-51	37	0.23	12	7.0-13.8	0.24	2.9	3900	35.0	-10	+70	50,000
T70T12MMA9-51	29	0.15	12	7.0-13.8	0.14	1.7	3100	29.5	-10	+70	—
T70T12MLA9-51	24	0.11	12	7.0-13.8	0.10	1.2	2600	25.0	-10	+70	—

Air flow, current, speed and sound pressure ratings are at nominal operating voltage and zero static pressure. Current and power ratings are average expected values under those conditions. † L10 bearing life expectancy at T_A = +40°C.™ UltraFlo is a brand trademark of Nidec Corporation.

