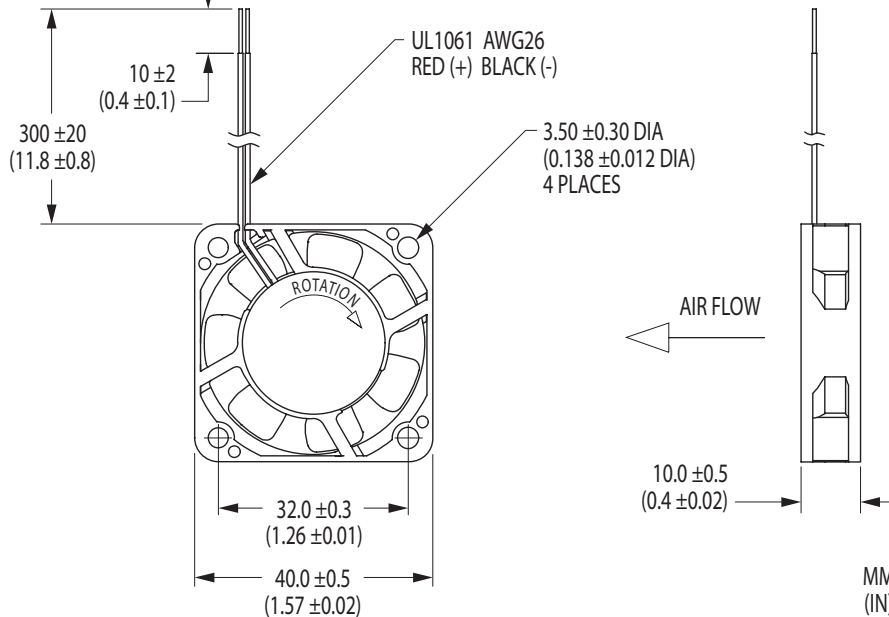


UltraFlo™

40x10mm



U40X Series

- ✓ 5V and 12V Models
- ✓ Low Power Requirements
- ✓ Open-Collector Tachometer and Locked Rotor Alarm Options
- ✓ Long-Life, Magnetically Stabilized NBRX Sleeve Bearing System

Tube Axial Cooling Fans

Model	Air Flow (CFM)	Max. Static Pressure (inwg)	Operating Voltage		Operating Current (A)	Input Power (W)	Fan Speed (rpm)	Sound Pressure (dBA)	Operating Temp.		L10 Life† (hours)
			Nominal (V)	Range (V)					Min. (°C)	Max. (°C)	
U40X05MHZ7-51	6.7	0.19	5.0	4.25-5.75	0.23	1.2	8000	27.0	-10	+70	30,000
U40X12MHZ7-51	6.7	0.19	12	7.0-13.8	0.10	1.2	8000	27.0	-10	+70	30,000
U40X05MMZ7-51	5.3	0.14	5.0	4.25-5.75	0.17	0.9	6500	22.5	-10	+70	—
U40X12MMZ7-51	5.3	0.14	12	7.0-13.8	0.07	0.8	6500	22.5	-10	+70	—
U40X05MLZ7-51	3.9	0.08	5.0	4.25-5.75	0.10	0.5	5000	19.5	-10	+70	—
U40X12MLZ7-51	3.9	0.08	12	7.0-13.8	0.05	0.6	5000	19.5	-10	+70	—

Air flow, current, speed and sound pressure ratings are at nominal operating voltage and zero static pressure. Current and power ratings are average expected values under those conditions. † L10 bearing life expectancy at $T_A = +40^{\circ}\text{C}$.™ UltraFlo is a brand trademark of Nidec Corporation.

