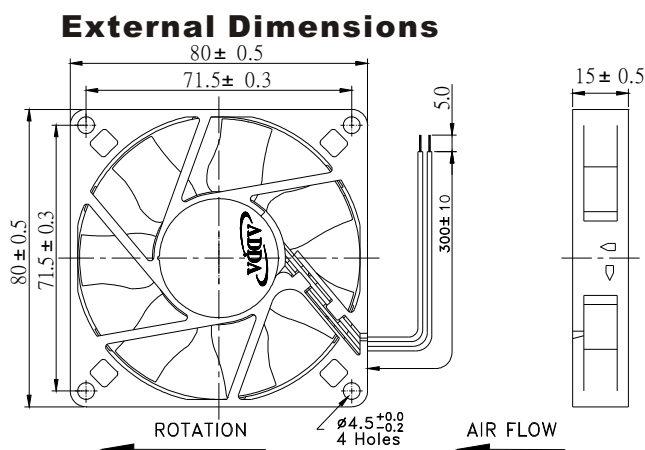


◀ **80X80X15mm Series** ▶



Spot cooling, also suitable for small space requirements, laptops PC and notebook, etc.,



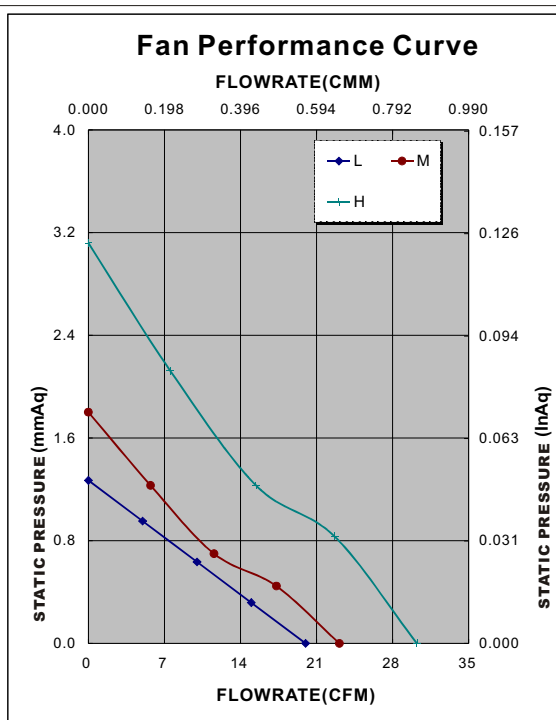
Frame: Plastic (UL: 94v-0)  
Impeller: Plastic (UL: 94v-0)  
Bearing: Hypro bearing  
Lead wire: UL1007AWG24  
OPERATING TEMP\*: -10C~70C  
VOLTAGE AVAILABLE: 12V, 24V  
\*: -10C~60C for fans with sleeve/ball combination bearings.

**Specifications (Nominal)**

\*: Noise is measured at the distance of one (1) meter from the axis of intake.

Frame size (mm)	Model No.	Bearing System Type	Rated Voltage (v)	Rated Current (A)	Rated Power (W)	Rated Speed (rpm)	Bearing type: =Ball =Sleeve =1B1S =Hypro bearing				Weight (g)	
							Maximum AirFlow (CMM)	Maximum AirFlow (CFM)	Maximum Pressure (InAq)	Maximum Pressure (mmAq)		Noise Level (dB/A)
80X80X15	AD0812HB-D70(T)		12	0.18	2.16	3200	0.852	30.26	0.125	3.12	33.4	63
	AD0812MB-D70(T)		12	0.12	1.44	2440	0.651	23.11	0.072	1.80	26.0	
	AD0812LB-D70(T)		12	0.09	1.08	2000	0.563	20.00	0.051	1.27	19.6	
	AD0824HB-D70(T)		24	0.10	2.40	3200	0.852	30.26	0.125	3.12	33.6	
	AD0824MB-D70(T)		24	0.08	1.92	2440	0.651	23.11	0.072	1.80	26.0	

Specifications subject to change without notice.



\*Motor protective circuit and third lead wire functions

0	1	2	3	4	6	7	8	9	A	B
✓					✓					

\*Safety approvals

✓	✓			✓	✓

