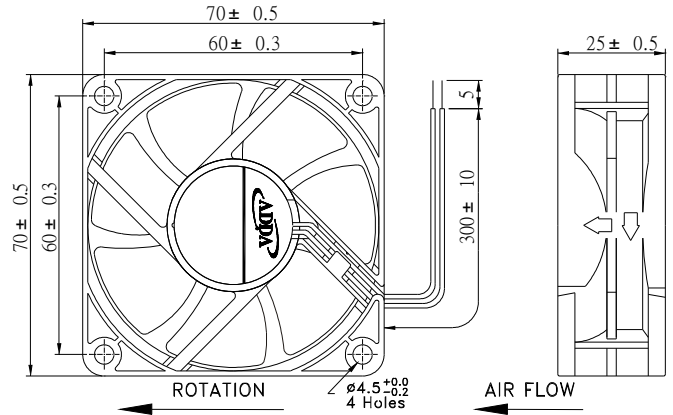


◀ **70X70X25mm Series** ▶



Spot cooling, also suitable for small space requirements, laptops PC and notebook, etc.,

**External Dimensions**



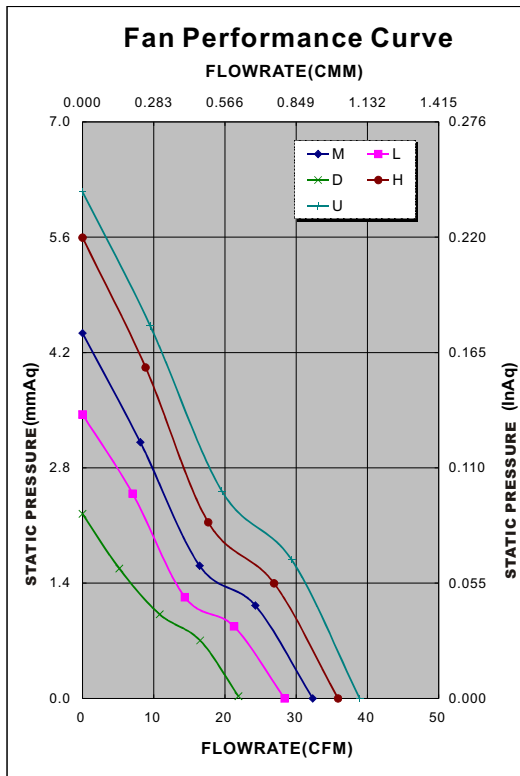
Frame: Plastic (UL:94v-0)  
 Impeller: Plastic (UL:94v-0)  
 Bearing: Hypro bearing  
 Lead wire: UL1007AWG24  
 OPERATING TEMP\*: -10C~70C  
 VOLTAGE AVAILABLE: 12V, 24V  
 \*: -10C~60C for fans with sleeve/ball combination bearings.

**Specifications (Nominal)**

\*: Noise is measured at the distance of one (1) meter from the axis of intake.

Frame size (mm)	Model No.	Bearing System Type	Rated Voltage (v)	Rated Current (A)	Rated Power (W)	Rated Speed (rpm)	Maximum AirFlow		Maximum Pressure		Noise Level (dB/A)	Weight (g)
							(CMM)	(CFM)	(InAq)	(mmAq)		
70X70X25	AD0724HB-A70GL(T)		24	0.13	3.12	4200	1.010	35.86	0.224	5.60	35.5	61
	AD0724MB-A70GL(T)		24	0.11	2.64	3800	0.911	32.33	0.178	4.44	32.0	
	AD0712UB-A70GL(T)		12	0.24	2.88	4500	1.096	38.90	0.246	6.15	37.8	
	AD0712HB-A70GL(T)		12	0.19	2.28	4200	1.010	35.86	0.224	5.60	35.5	
	AD0712MB-A70GL(T)		12	0.16	1.92	3800	0.911	32.33	0.178	4.44	32.0	
	AD0712LB-A70GL(T)		12	0.12	1.44	3300	0.799	28.37	0.138	3.45	28.0	
	AD0712DB-A70GL(T)		12	0.08	0.96	2500	0.617	21.89	0.090	2.24	22.0	

Specifications subject to change without notice.



\*Motor protective circuit and third lead wire functions

0	1	2	3	4	6	7	8	9	A	B
✓					✓					

\*Safety approvals

✓	✓		✓	✓	✓

