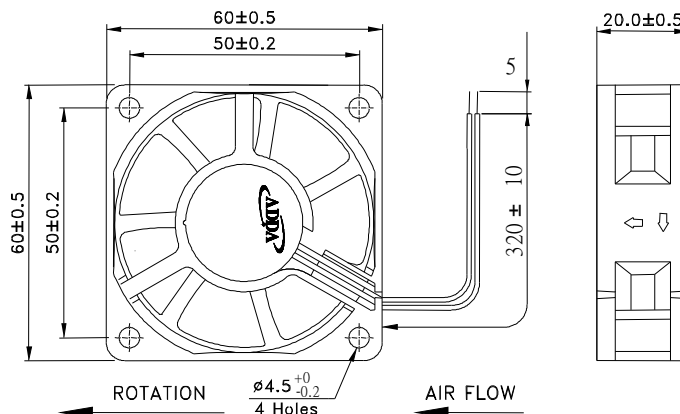


◀ **60X60X20mm Series** ▶



Spot cooling, also suitable for small space requirements, laptops PC and notebook, etc.,

**External Dimensions**



Frame: Plastic (UL:94v-0)  
 Impeller: Plastic (UL:94v-0)  
 Bearing: Hydro bearing  
 Lead wire: UL1007AWG24  
 OPERATING TEMP\*: -10C~70C  
 VOLTAGE AVAILABLE: 5V, 12V, 24V  
 \*: -10C~60C for fans with sleeve/ball combination bearings.

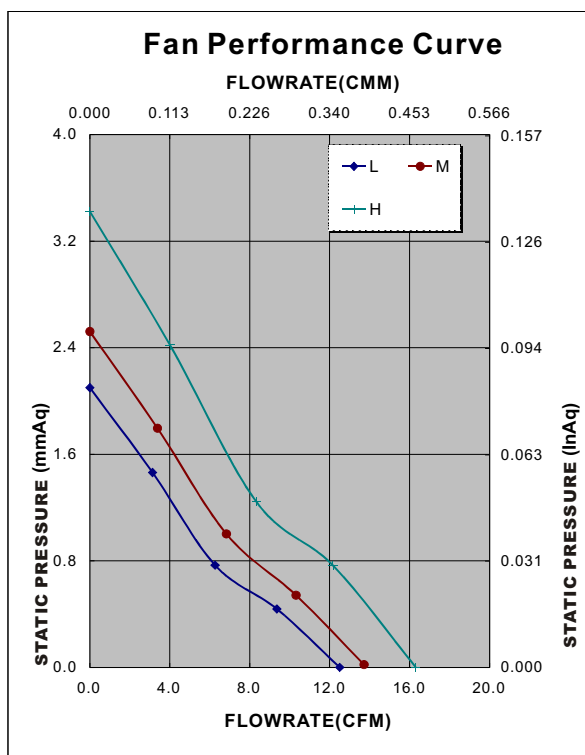
**Specifications (Nominal)**

\*: Noise is measured at the distance of one (1) meter from the axis of intake.

Frame size (mm)	Model No.	Bearing System Type	Rated Voltage (v)	Rated Current (A)	Rated Power (W)	Rated Speed (rpm)	Maximum AirFlow		Maximum Pressure		Noise Level (dB/A)	Weight (g)
							(CMM)	(CFM)	(InAq)	(mmAq)		
60X60X20	AD0605MB-C70GL(T)		5	0.18	0.90	3900	0.386	13.72	0.101	2.52	26.4	49
	AD0605HB-C70GL(T)		5	0.3	1.50	4500	0.459	16.31	0.137	3.42	31.0	
	AD0612LB-C70GL(T)		12	0.08	0.96	3500	0.352	12.50	0.084	2.10	23.5	
	AD0612MB-C70GL(T)		12	0.13	1.56	3900	0.386	13.72	0.101	2.52	26.4	
	AD0612HB-C70GL(T)		12	0.16	1.92	4500	0.459	16.31	0.137	3.42	31.0	
	AD0624HB-C70GL(T)		24	0.09	2.16	4500	0.459	16.31	0.137	3.42	31.0	

Bearing type: =Ball =Sleeve =1B1S =Hydro bearing

Specifications subject to change without notice.



\*Motor protective circuit and third lead wire functions

0	1	2	3	4	6	7	8	9	A	B
✓					✓					

\*Safety approvals

✓	✓	✓	✓	✓	✓

