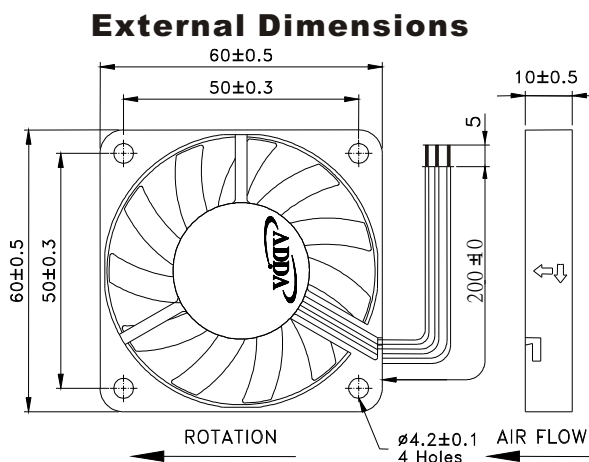


◀ **60X60X10mm Series** ▶



Spot cooling, also suitable for small space requirements, laptops PC and notebook, etc.,



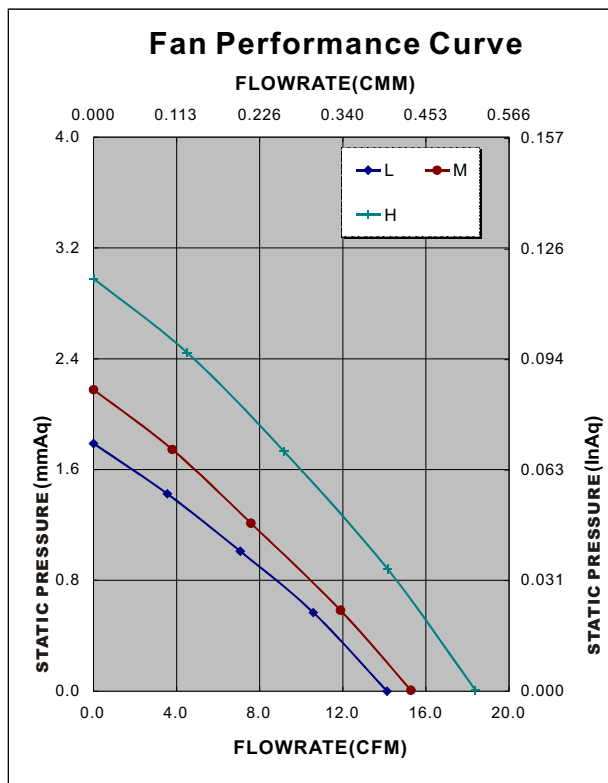
Frame: Plastic (UL:94v-0)  
 Impeller: Plastic (UL:94v-0)  
 Bearing: Hypro bearing  
 Lead wire: UL2468AWG26  
 OPERATING TEMP\*: -10C~70C  
 VOLTAGE AVAILABLE: 5V, 12V  
 \*:-10C~60C for fans with sleeve/ball combination bearings.

**Specifications(Nominal)**

\*: Noise is measured at the distance of one (1) meter from the axis of intake.

| Frame size (mm) | Model No.        | Bearing System Type | Rated Voltage (v) | Rated Current (A) | Rated Power (W) | Rated Speed (rpm) | Maximum AirFlow |       | Maximum Pressure |        | Noise Level (dB/A) | Weight (g) |
|-----------------|------------------|---------------------|-------------------|-------------------|-----------------|-------------------|-----------------|-------|------------------|--------|--------------------|------------|
|                 |                  |                     |                   |                   |                 |                   | (CMM)           | (CFM) | (InAq)           | (mmAq) |                    |            |
| 60X60X10        | AD0605LB-GA0(GL) |                     | 5                 | 0.28              | 1.40            | 3400              | 0.398           | 14.13 | 0.072            | 1.79   | 26.5               | 30         |
|                 | AD0612LB-GA0(GL) |                     | 12                | 0.12              | 1.44            | 3400              | 0.398           | 14.13 | 0.072            | 1.79   | 26.5               |            |
|                 | AD0612MB-GA0(GL) |                     | 12                | 0.19              | 2.28            | 4000              | 0.430           | 15.28 | 0.087            | 2.18   | 30.0               |            |
|                 | AD0612HB-GA0(GL) |                     | 12                | 0.25              | 3.00            | 4600              | 0.518           | 18.39 | 0.119            | 2.98   | 33.8               |            |

Specifications subject to change without notice.



\*Motor protective circuit and third lead wire functions

|   |   |   |   |   |   |   |   |   |   |   |
|---|---|---|---|---|---|---|---|---|---|---|
| 0 | 1 | 2 | 3 | 4 | 6 | 7 | 8 | 9 | A | B |
| ✓ |   |   |   |   | ✓ |   |   |   |   |   |

\*Safety approvals

|   |   |  |   |   |   |
|---|---|--|---|---|---|
|   |   |  |   |   |   |
| ✓ | ✓ |  | ✓ | ✓ | ✓ |

