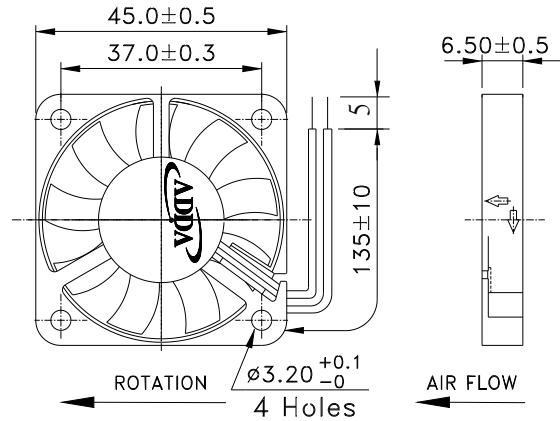


◀45X45X06mm Series▶



Spot cooling, also suitable for small space requirements, laptops PC and notebook, etc.,

External Dimensions



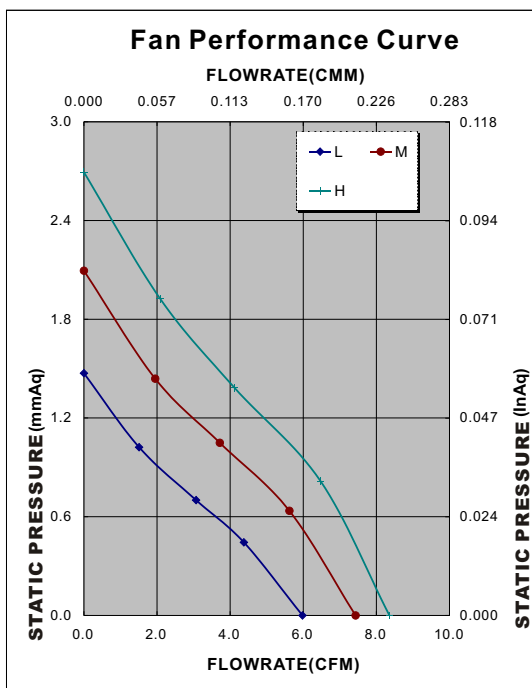
Frame: Plastic (UL:94v-0)
 Impeller: Plastic (UL:94v-0)
 Bearing: Hydro bearing
 Lead wire: UL1571AWG28
 OPERATING TEMP*: -10C~70C
 VOLTAGE AVAILABLE: 5V, 12V
 *: -10C~60C for fans with sleeve/ball combination bearings.

Specifications (Nominal)

*: Noise is measured at the distance of one (1) meter from the axis of intake.

Frame size (mm)	Model No.	Bearing System Type	Rated Voltage (v)	Rated Current (A)	Rated Power (W)	Rated Speed (rpm)	Maximum AirFlow		Maximum Pressure		Noise Level (dB/A)	Weight (g)
							(CMM)	(CFM)	(InAq)	(mmAq)		
45x45x06	AD4505LB-K90(S)		5	0.10	0.500	4500	0.169	5.98	0.059	1.47	23.3	11
	AD4505MB-K90(S)		5	0.09	0.450	5500	0.210	7.43	0.084	2.10	26.5	
	AD4505HB-K90(S)		5	0.14	0.700	6200	0.236	8.36	0.108	2.69	33.0	
	AD4505LX-K90		5	0.10	0.500	4300	0.169	5.98	0.059	1.48	23.0	
	AD4505MX-K90		5	0.09	0.450	5000	0.210	7.43	0.084	2.10	25.5	
	AD4505HX-K90		5	0.14	0.700	6000	0.236	8.36	0.108	2.69	32.6	
	AD4512LB-K90(S)		12	0.08	0.960	4500	0.169	5.98	0.059	1.47	23.3	
	AD4512MB-K90(S)		12	0.09	1.080	5500	0.210	7.43	0.084	2.10	26.5	
	AD4512HB-K90(S)		12	0.10	1.200	6200	0.236	8.36	0.108	2.69	33.0	
	AD4512LX-K90		12	0.08	0.960	4300	0.169	5.98	0.059	1.48	23.0	
	AD4512MX-K90		12	0.09	1.080	5000	0.210	7.43	0.084	2.10	25.5	
	AD4512HX-K90		12	0.10	1.200	6000	0.236	8.36	0.108	2.69	32.6	

Specifications subject to change without notice.



*Motor protective circuit and third lead wire functions

0	1	2	3	4	6	7	8	9	A	B
✓					✓					

*Safety approvals

				✓	

