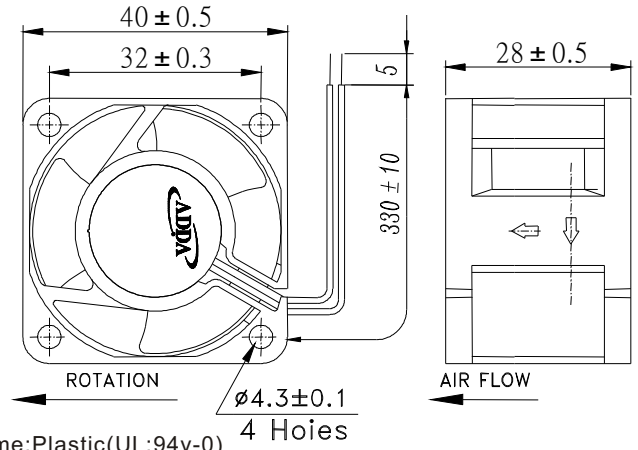


40X40X28mm Series
External Dimensions



Frame: Plastic(UL:94v-0)
 Impeller: Plastic(UL:94v-0)
 Bearing: Ball bearing
 Lead wire: UL1007AWG24
 OPERATING TEMP*: -10C~70C
 VOLTAGE AVAILABLE: 12V,24V
 *:-10C~60C for fans with sleeve/ball combination bearings.

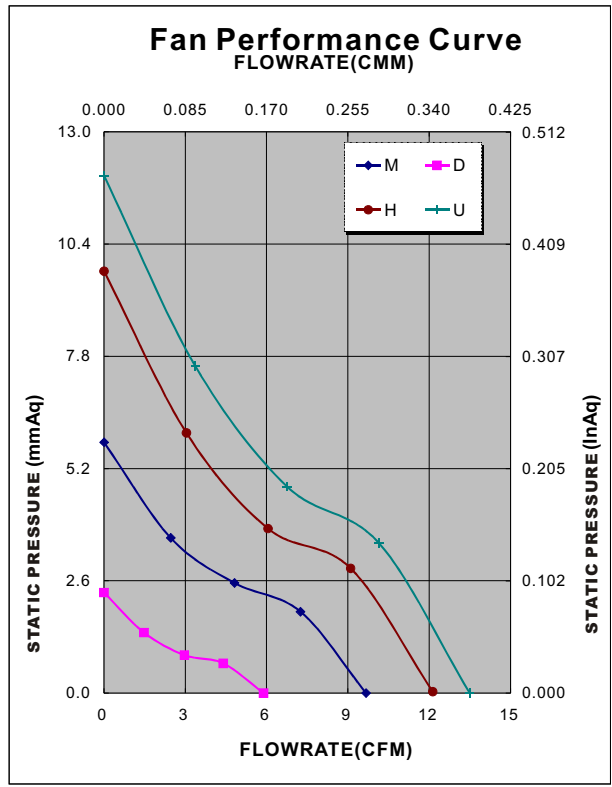
Spot cooling, also suitable for small space requirements, laptops PC and notebook, etc.,

Specifications(Nominal)

*: Noise is measured at the distance of one(1) meter from the axis of intake.

Frame size (mm)	Model No.	Bearing System Type	Rated Voltage (v)	Rated Current (A)	Rated Power (W)	Rated Speed (rpm)	Maximum AirFlow		Maximum Pressure		Noise Level (dB/A)	Weight (g)
							(CMM)	(CFM)	(InAq)	(mmAq)		
40X40X28	AD0412UB-B31	=Ball	12	0.23	2.76	10000	0.380	13.50	0.480	11.99	42.5	38
	AD0412HB-B31		12	0.22	2.64	9000	0.342	12.13	0.391	9.77	38.8	
	AD0412HB-B32		12	0.22	2.64	9000	0.342	12.13	0.391	9.77	38.8	
	AD0412HB-B33		12	0.22	2.64	9000	0.342	12.13	0.391	9.77	38.8	
	AD0412MB-B31	=Sleeve	12	0.18	2.16	7500	0.270	9.60	0.232	5.81	36.5	
	AD0412DB-B31		12	0.07	0.84	4500	0.166	5.90	0.094	2.34	19.2	
	AD0424UB-B31		24	0.23	5.52	13000	0.485	17.22	0.753	18.83	49.7	
	AD0424HB-B31		24	0.12	2.88	8100	0.342	12.13	0.391	9.77	36.2	
AD0424HB-B33	=1B1S	24	0.12	2.88	8100	0.342	12.13	0.391	9.77	36.2		
		=Hypro bearing										

Specifications subject to change without notice.



*Motor protective circuit and third lead wire functions

0	1	2	3	4	6	7	8	9	A	B
	✓	✓	✓							

*Safety approvals

✓	✓		✓	✓	

