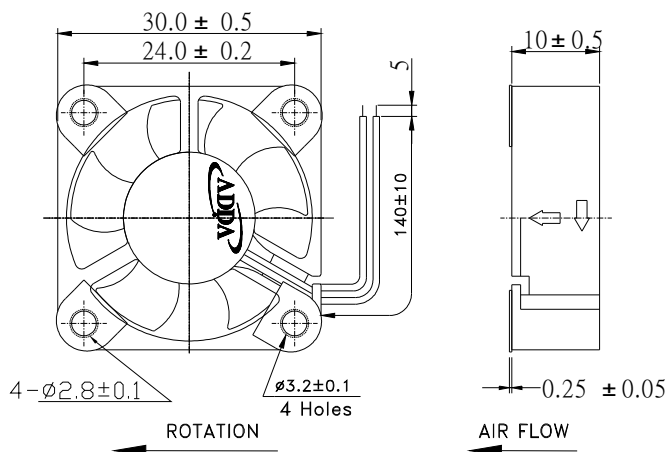
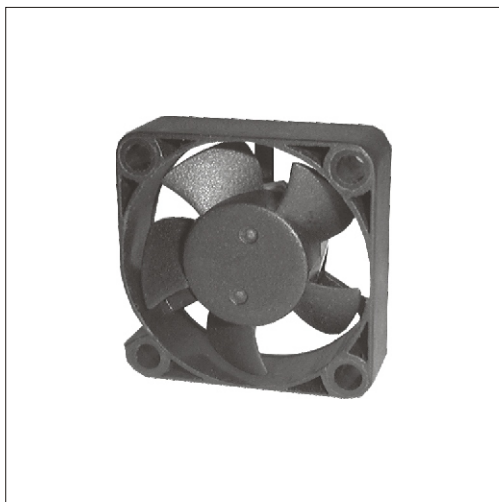


◀ **30X30X10mm Series** ▶  
**External Dimensions**



Frame: Plastic(UL:94v-0)  
 Impeller: Plastic(UL:94v-0)  
 Bearing: Hypro bearing  
 Lead wire: UL1571AWG28  
 OPERATING TEMP\*: -10C~70C  
 VOLTAGE AVAILABLE: 5V, 12V  
 \*:-10C~60C for fans with sleeve/ball combination bearings.

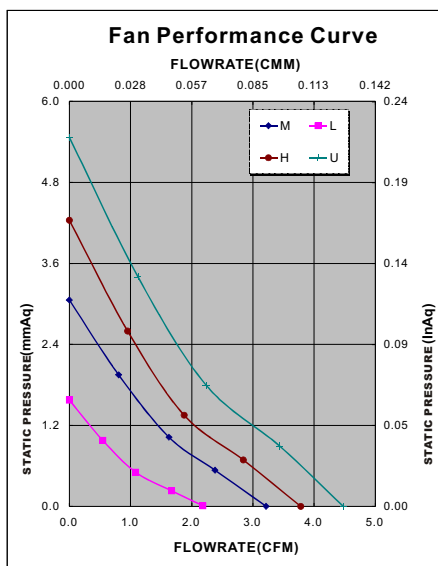
Spot cooling, also suitable for small space requirements, laptops PC and notebook, etc.,

**Specifications(Nominal)**

\*: Noise is measured at the distance of one(1) meter from the axis of intake.

Frame size (mm)	Model No.	Bearing System Type	Rated Voltage (v)	Rated Current (A)	Rated Power (W)	Rated Speed (rpm)	Maximum AirFlow		Maximum Pressure		Noise Level (dB/A)	Weight (g)
							(CMM)	(CFM)	(InAq)	(mmAq)		
30x30x10	AD0305DX-G50		5	0.09	0.45	5500	0.062	2.18	0.063	1.58	17.0	8
	AD0305LX-G50		5	0.12	0.60	8000	0.091	3.21	0.122	3.06	20.2	
	AD0305MX-G50		5	0.13	0.65	9000	0.107	3.78	0.170	4.24	28.0	
	AD0305HX-G50		5	0.17	0.85	10500	0.127	4.48	0.219	5.47	30.7	
	AD0312DX-G50		12	0.06	0.30	5500	0.062	2.18	0.063	1.58	17.0	
	AD0312LX-G50		12	0.07	0.35	8000	0.091	3.21	0.122	3.06	20.2	
	AD0312MX-G50		12	0.12	0.60	9000	0.107	3.78	0.170	4.24	28.0	
	AD0312HX-G50		12	0.11	0.55	10500	0.127	4.48	0.219	5.47	30.7	
	AD0305DX-G51		5	0.09	0.45	5500	0.062	2.18	0.063	1.58	17.0	
	AD0305LX-G51		5	0.12	0.60	8000	0.091	3.21	0.122	3.06	20.2	
	AD0305MX-G51		5	0.13	0.65	9000	0.107	3.78	0.170	4.24	28.0	
	AD0305HX-G51		5	0.17	0.85	10500	0.127	4.48	0.219	5.47	30.7	
	AD0312DX-G51		12	0.06	0.30	5500	0.062	2.18	0.063	1.58	17.0	
	AD0312LX-G51		12	0.07	0.35	8000	0.091	3.21	0.122	3.06	20.2	
	AD0312MX-G51		12	0.12	0.60	9000	0.107	3.78	0.170	4.24	28.0	
	AD0312HX-G51		12	0.11	0.55	10500	0.127	4.48	0.219	5.47	30.7	

Specifications subject to change without notice.



\*Motor protective circuit and third lead wire functions

0	1	2	3	4	6	7	8	9	A	B
✓	✓	✓	✓		✓					✓

\*Safety approvals

✓	✓		✓	✓	

