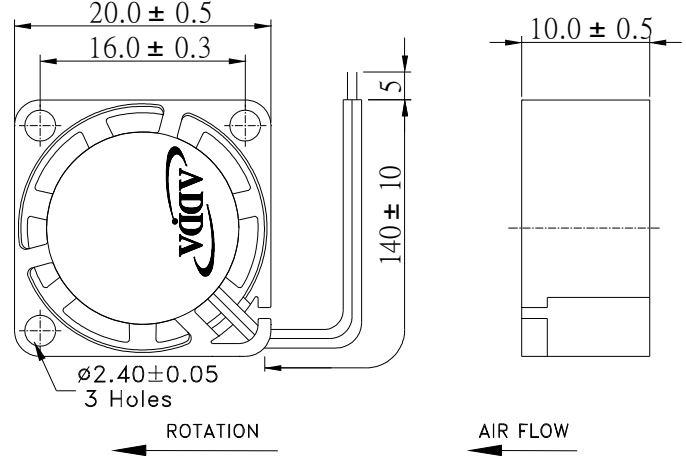


◀ **20X20X10mm Series** ▶  
**External Dimensions**



Frame: Plastic (UL:94v-0)  
Impeller: Plastic (UL:94v-0)  
Bearing: Hypro bearing  
Lead wire: UL1571AWG28  
OPERATING TEMP\*: -10C~70C  
VOLTAGE AVAILABLE: 5V, 12V  
\*: -10C~60C for fans with sleeve/ball combination bearings.

Spot cooling, also suitable for small space requirements, laptops PC and notebook, etc.,

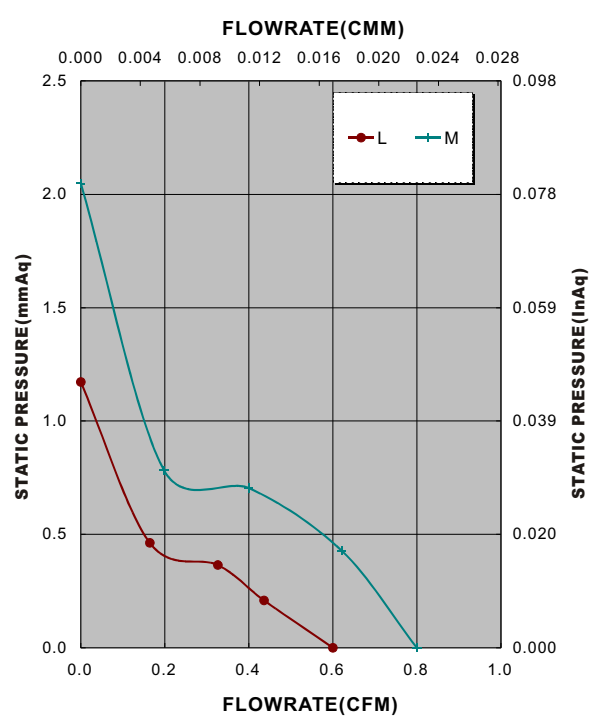
**Specifications (Nominal)**

\*: Noise is measured at the distance of one (1) meter from the axis of intake.

Frame size (mm)	Model No.	Bearing System Type	Rated Voltage (v)	Rated Current (A)	Rated Power (W)	Rated Speed (rpm)	Maximum AirFlow		Maximum Pressure		Noise Level (dB/A)	Weight (g)
							(CMM)	(CFM)	(InAq)	(mmAq)		
20x20x10	AD2005LX-G70		5	0.08	0.400	9000	0.017	0.60	0.047	1.17	20.0	6
	AD2005MX-G70		5	0.14	0.700	11500	0.023	0.80	0.082	2.05	26.0	
	AD2012LB-G70		12	0.07	0.840	9000	0.017	0.60	0.047	1.17	20.0	
	AD2012MB-G70		12	0.06	0.720	11500	0.023	0.80	0.082	2.05	26.0	
	AD2005LX-G71		5	0.08	0.400	9000	0.017	0.60	0.047	1.17	20.0	
	AD2005MX-G71		5	0.14	0.700	11500	0.023	0.80	0.082	2.05	26.0	
	AD2012LB-G71		12	0.07	0.840	9000	0.017	0.60	0.047	1.17	20.0	
	AD2012MB-G71		12	0.06	0.720	11500	0.023	0.80	0.082	2.05	26.0	

Specifications subject to change without notice.

**Fan Performance Curve**



\*Motor protective circuit and third lead wire functions

0	1	2	3	4	6	7	8	9	A	B
✓	✓	✓	✓		✓					✓

\*Safety approvals

✓	✓	✓	✓	✓	

