

Blower

**160**mm

# San Ace B160

40mm thick



**General Specifications** With a pulse sensor Specifications for pulse sensors ⇔ Refer to Page 239

\*Please inquire about other specifications.

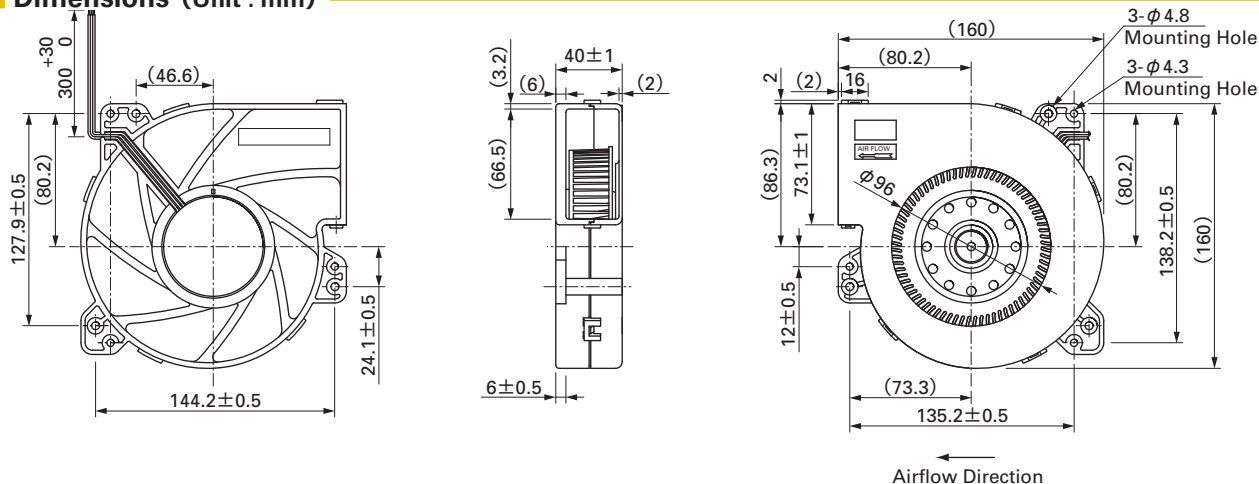
- Material ..... Frame: Plastics (Flammability: UL94V-0),  
Impeller: Plastics (Flammability: UL94V-1)
- Life Expectancy ..... Varies for each model (L10: Survival rate: 90% at 60°C, rated voltage, and continuously run in a free air state)
- Lead Wire ..... ⊕red ⊖black (Sensor) yellow
- Storage Temperature ..... -30°C to +70°C (Non-condensing)

**160mm × 40mm thick** (Mass : 580g)

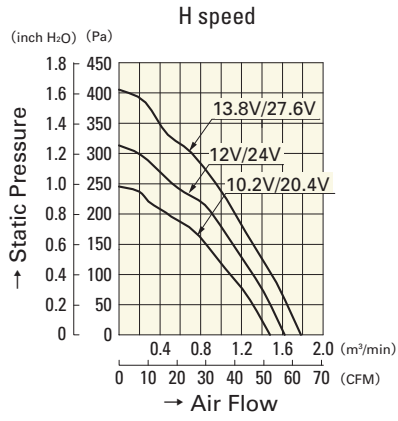
**Specifications**

Model No.	Rated Voltage (V)	Operating Voltage Range (V)	Rated Current (A)	Rated Input (W)	Rated Speed (min <sup>-1</sup> )	Air Flow (m <sup>3</sup> /min) (CFM)	Static Pressure (Pa) (inchH <sub>2</sub> O)	SPL (dB[A])	Operating Temperature Range (°C)	Life Expectancy (h)	
109BG12HC1	12	10.2 to 13.8	1.3	15.6	2,300	1.62	57.2	313.6	1.259	- 10 to + 60	40,000
109BG12MC1			0.64	7.68	1,800	1.26	44.5	156.8	0.629		
109BG24HC1	24	20.4 to 27.6	0.62	14.88	2,300	1.62	57.2	313.6	1.259		
109BG24MC1			0.31	7.44	1,800	1.26	44.5	156.8	0.629		

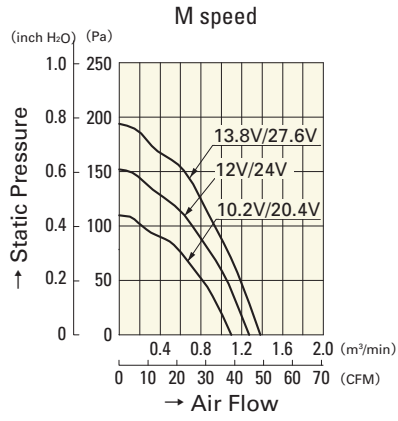
**Dimensions (Unit : mm)**



## Air Flow and Static Pressure Characteristics



**109BG12HC1**  
**109BG24HC1**



**109BG12MC1**  
**109BG24MC1**

Blower 160mm

160mm