

DC Fan

φ172mm

San Ace 172

25mm thick(Sidecut type)
 51mm thick(Sidecut type GV type)
 51mm thick(Sidecut type), 51mm thick(Round type)



General Specifications With a pulse sensor Specifications for pulse sensors ⇨ Refer to Page 239

*Please inquire about other specifications.

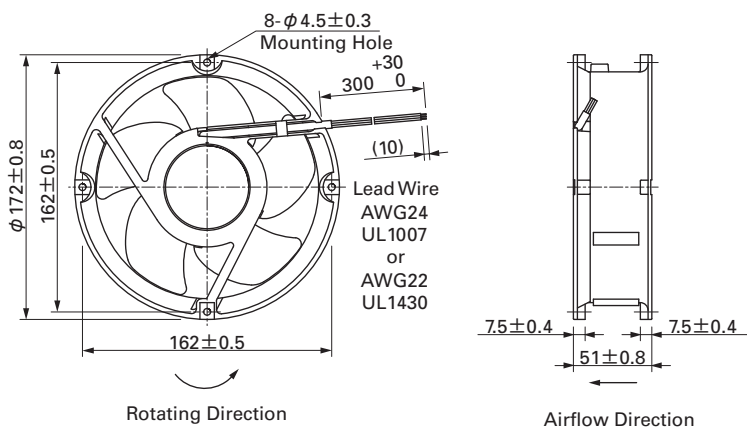
- Material.....Frame: Aluminum, Impeller:Plastics (Flammability: UL94V-1)
- Life Expectancy.....Varies for each model (L10:Survival rate:90% at 60°C , rated voltage, and continuously run in a free air state)
- Lead Wire.....⊕red ⊖black (Sensor) yellow
- Storage Temperature.....-30°C to +70°C (Non-condensing)

φ172mm×51mm thick (Mass : 780g) Round type

Specifications

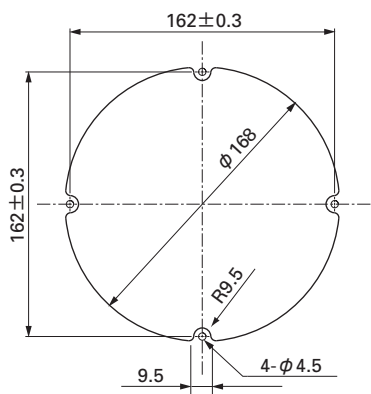
| Model No. | Rated Voltage (V) | Operating Voltage Range (V) | Rated Current (A) | Rated Input (W) | Rated Speed (min ⁻¹) | Air Flow (m ³ /min) (CFM) | Static Pressure (Pa) (inchH ₂ O) | SPL (dB[A]) | Operating Temperature Range (°C) | Life Expectancy (h) |
|--------------|-------------------|-----------------------------|-------------------|-----------------|----------------------------------|--------------------------------------|---|-------------|----------------------------------|---------------------|
| 109E1712K501 | 12 | 10.2 to 13.8 | 2.9 | 34.8 | 4,100 | 8.5 300 | 243.0 0.976 | 55 | -10 to +60 | 40,000 |
| 109E1712H501 | | | 1.2 | 14.4 | 3,050 | 6.4 226 | 137.2 0.551 | 47 | | |
| 109E1712M501 | | | 0.48 | 5.76 | 2,000 | 4.2 148 | 67.6 0.271 | 36 | | |
| 109E1724C501 | 24 | 20.4 to 27.6 | 2.3 | 55.2 | 4,800 | 9.9 350 | 308.0 1.237 | 60 | -10 to +70 | |
| 109E1724K501 | | | 1.3 | 31.2 | 4,100 | 8.5 300 | 243.0 0.976 | 55 | | |
| 109E1724H501 | | | 0.58 | 13.92 | 3,050 | 6.4 226 | 137.2 0.551 | 47 | | |
| 109E1724M501 | | | 0.2 | 4.8 | 2,000 | 4.2 148 | 67.6 0.271 | 36 | | |
| 109E1748C501 | 48 | 40.8 to 55.2 | 1.2 | 57.6 | 4,800 | 9.9 350 | 308.0 1.237 | 60 | -10 to +60 | |
| 109E1748K501 | | | 0.7 | 33.6 | 4,100 | 8.5 300 | 243.0 0.976 | 55 | | |
| 109E1748H501 | | | 0.28 | 13.44 | 3,050 | 6.4 226 | 137.2 0.551 | 47 | | |
| 109E1748M501 | | | 0.11 | 5.28 | 2,000 | 4.2 148 | 67.6 0.271 | 36 | -10 to +70 | |

Dimensions (Unit : mm)



Reference dimension of mounting holes and vent opening (Unit : mm)

Inlet side, Outlet side



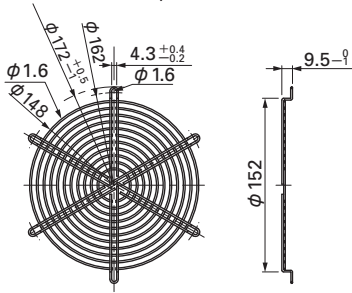
Options (Unit : mm)

Finger guards

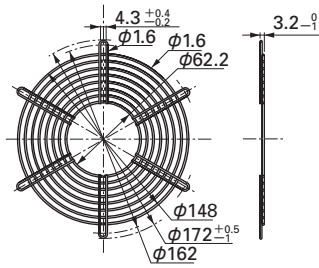
Model : 109-319E Surface treatment : Nickel-chrome plating (silver) Color
 : 109-319H : Cation electropainting (black)

Model : 109-320 Surface treatment : Nickel-chrome plating (silver) Color

Inlet side, Outlet side

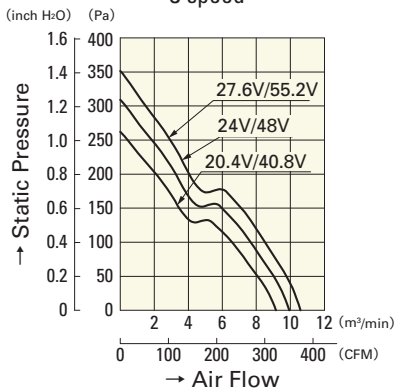


Outlet side



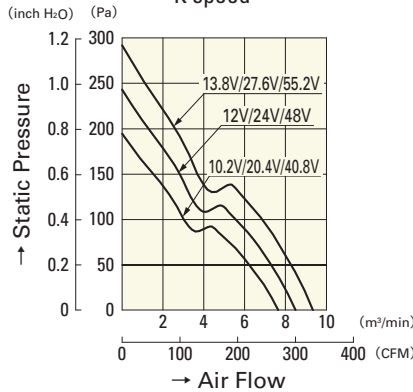
Air Flow and Static Pressure Characteristics

C speed



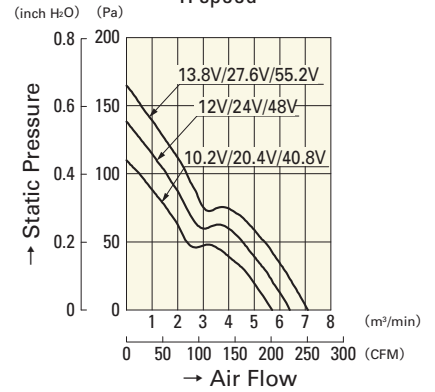
109E1724C501
109E1748C501

K speed



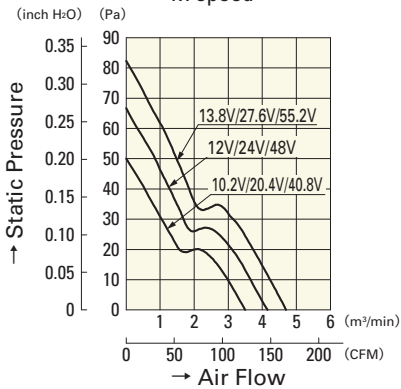
109E1712K501
109E1724K501
109E1748K501

H speed



109E1712H501
109E1724H501
109E1748H501

M speed



109E1712M501
109E1724M501
109E1748M501