

DC Fan

φ172mm

San Ace 172

25mm thick(Sidecut type)
 51mm thick(Sidecut type GV type)
 51mm thick(Sidecut type), 51mm thick(Round type)



General Specifications With a pulse sensor Specifications for pulse sensors ⇔ Refer to Page 239

*Please inquire about other specifications.

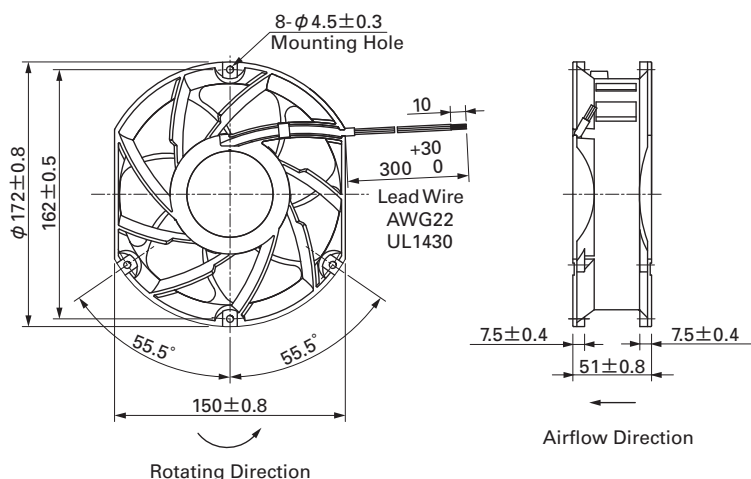
- Material..... Frame: Aluminum, Impeller:Plastics (Flammability: UL94V-1)
- Life Expectancy.....Varies for each model (L10:Survival rate:90% at 60°C , rated voltage, and continuously run in a free air state)
- Lead Wire.....⊕red ⊖black (Sensor) yellow
- Storage Temperature.....-30°C to +70°C (Non-condensing)

φ172mm×51mm thick (Mass : 800g) SideCut type GV type

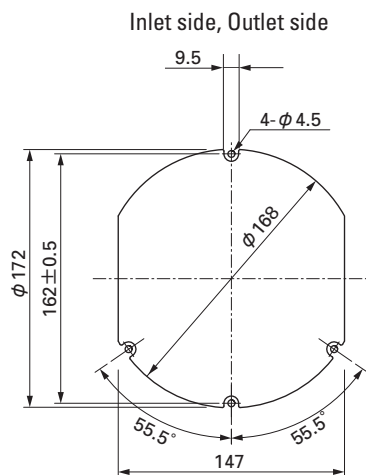
Specifications

Model No.	Rated Voltage (V)	Operating Voltage Range (V)	Rated Current (A)	Rated Input (W)	Rated Speed (min ⁻¹)	Air Flow (m ³ /min) (CFM)	Static Pressure (Pa) (inchH ₂ O)	SPL (dB[A])	Operating Temperature Range (°C)	Life Expectancy (h)
9GV5724H501	24	20.4 to 27.6	4.0	96	6,300	11.32 400	690 2,77	74	- 10 to +70	40,000
9GV5748H501	48	40.8 to 55.2	2.0	96						

Dimensions (Unit : mm)



Reference dimension of mounting holes and vent opening (Unit : mm)



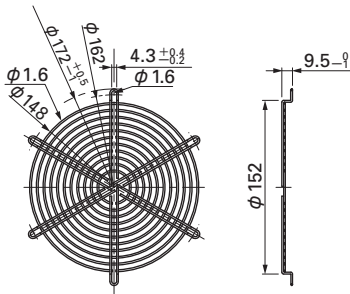
Options (Unit : mm)

Finger guards

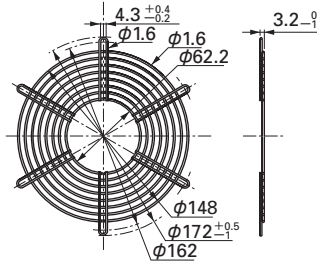
Model : 109-319E Surface treatment : Nickel-chrome plating (silver) Color
 : 109-319H : Cation electropainting (black)

Model : 109-320 Surface treatment : Nickel-chrome plating (silver) Color

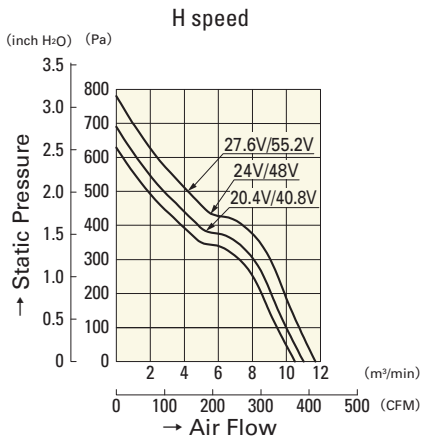
Inlet side, Outlet side



Outlet side



Air Flow and Static Pressure Characteristics



9GV5724H501

9GV5748H501