

Long Life Fan

φ 172mm

San Ace 172L

51mm thick(Sidecut type)
51mm thick(Round type)



General Specifications **With a pulse sensor** Specifications for pulse sensors ⇔ Refer to Page 239

*Please inquire about other specifications.

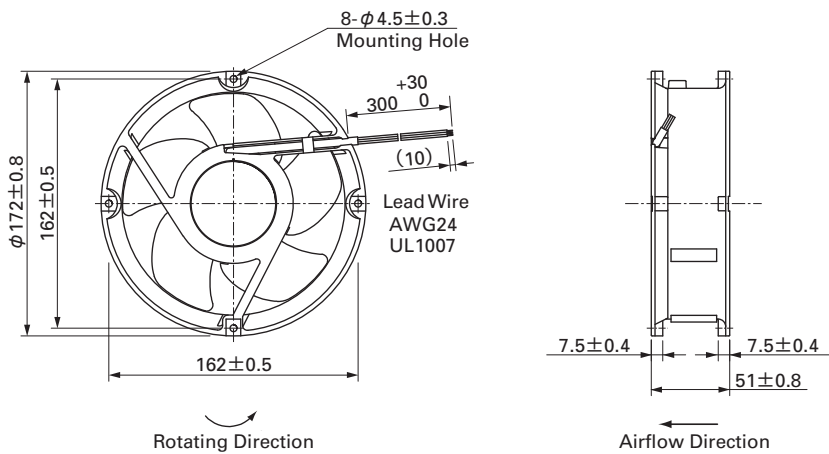
- Material.....Frame: Aluminum, Impeller:Plastics (Flammability: UL94V-1)
- Life ExpectancyVaries for each model(L10:Survival rate: 90% at 60°C ,
rated voltage,and continuously run in a free air state)
- Lead Wire⊕red ⊖black (Sensor) yellow
- Storage Temperature-30°C to +70°C (Non-condensing)

φ 172mm×51mm thick (Mass : 780g) **Round type**

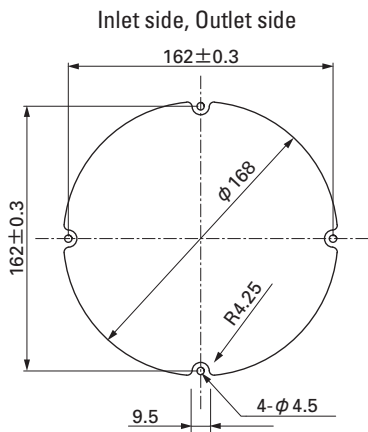
Specifications

Model No.	Rated Voltage (V)	Operating Voltage Range (V)	Rated Current (A)	Rated Input (W)	Rated Speed (min ⁻¹)	Air Flow (m ³ /min) (CFM)	Static Pressure (Pa) (inchH ₂ O)	SPL (dB[A])	Operating Temperature Range (°C)	Life Expectancy (h)
109L1712H501	12	10.2 to 13.8	1.2	14.4	3,050	6.4 226	137.2 0.551	47	- 10 to + 70	100,000
109L1712M501			0.48	5.76	2,000	4.2 148	67.6 0.271	36		
109L1724H501	24	20.4 to 27.6	0.58	13.92	3,050	6.4 226	137.2 0.551	47		
109L1724M501			0.2	4.80	2,000	4.2 148	67.6 0.271	36		
109L1748H501	48	40.8 to 55.2	0.28	13.44	3,050	6.4 226	137.2 0.551	47		
109L1748M501			0.11	5.28	2,000	4.2 148	67.6 0.271	36		

Dimensions (Unit : mm)



Reference dimension of mounting holes and vent opening (Unit : mm)



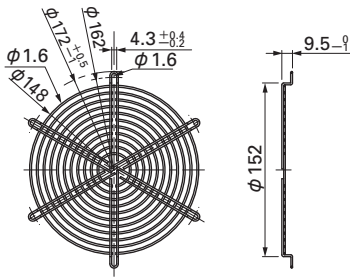
Options (Unit : mm)

Finger guards

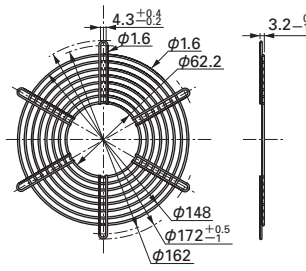
Model : 109-319E Surface treatment : Nickel-chrome plating (silver) Color : 109-319H : Cation electropainting (black)

Model : 109-320 Surface treatment : Nickel-chrome plating (silver) Color

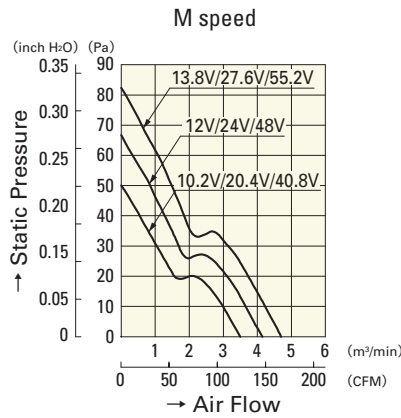
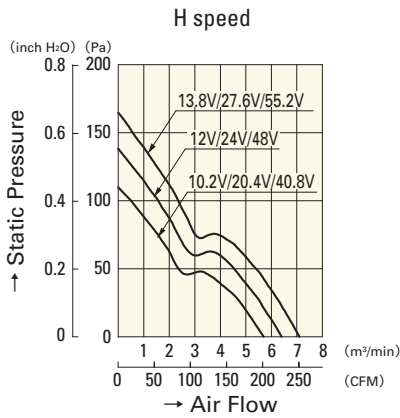
Inlet side, Outlet side



Outlet side



Air Flow and Static Pressure Characteristics



109L1712H501

109L1724H501

109L1748H501

109L1712M501

109L1724M501

109L1748M501