

Long Life Fan

140mm

San Ace 140L

38mm thick
51mm thick(Low noise)



General Specifications With a pulse sensor Specifications for pulse sensors ⇨ Refer to Page 239

*Please inquire about other specifications.

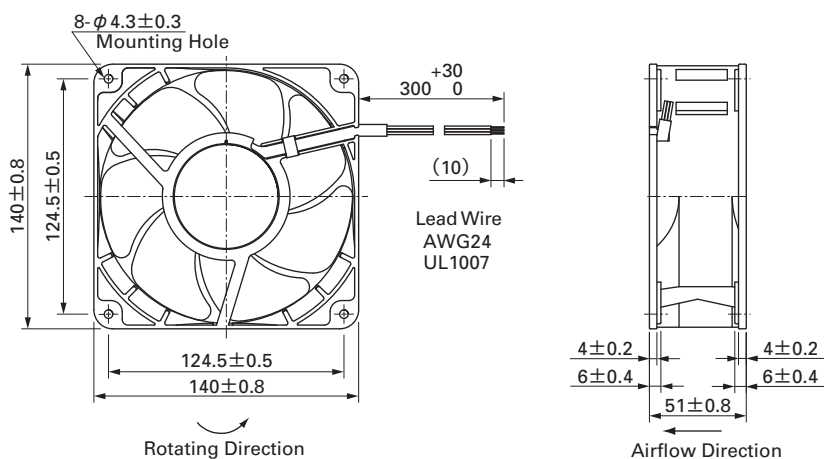
- Material Frame: Aluminum, Impeller:Plastics (Flammability: UL94V-1)
- Life Expectancy Varies for each model(L10:Survival rate: 90% at 60°C , rated voltage,and continuously run in a free air state)
- Lead Wire ⊕red ⊖black Sensor yellow
- Storage Temperature ... -30°C to +70°C (Non-condensing)

140mm×51mm thick (Mass : 610g) Low noise

Specifications

Model No.	Rated Voltage (V)	Operating Voltage Range (V)	Rated Current (A)	Rated Input (W)	Rated Speed (min ⁻¹)	Air Flow (m ³ /min) (CFM)		Static Pressure (Pa) (inchH ₂ O)		SPL (dB[A])	Operating Temperature Range (°C)	Life Expectancy (h)
9LB1412S501	12	10.2 to 13.8	2.7	32.4	4,200	8.1	286	240	0.964	57	- 10 to + 70	60,000
9LB1412H501			1.25	15.0	3,100	5.9	208	130	0.522	49		100,000
9LB1412M501			0.46	5.5	2,050	3.9	138	63	0.253	39		
9LB1424S501	24	20.4 to 27.6	1.38	33.1	4,200	8.1	286	240	0.964	57		60,000
9LB1424H501			0.60	14.4	3,100	5.9	208	130	0.522	49		100,000
9LB1424M501			0.22	5.3	2,050	3.9	138	63	0.253	39		
9LB1448S501	48	40.8 to 55.2	0.71	34.1	4,200	8.1	286	240	0.964	57	60,000	
9LB1448H501			0.27	13.0	3,100	5.9	208	130	0.522	49	100,000	
9LB1448M501			0.12	5.8	2,050	3.9	138	63	0.253	39		

Dimensions (Unit : mm)



Reference dimension of mounting holes and vent opening (Unit : mm)

