

Long Life Fan

140mm

San Ace 140L

38mm thick
51mm thick(Low noise)



General Specifications **With a pulse sensor** Specifications for pulse sensors ⇨ Refer to Page 239

*Please inquire about other specifications.

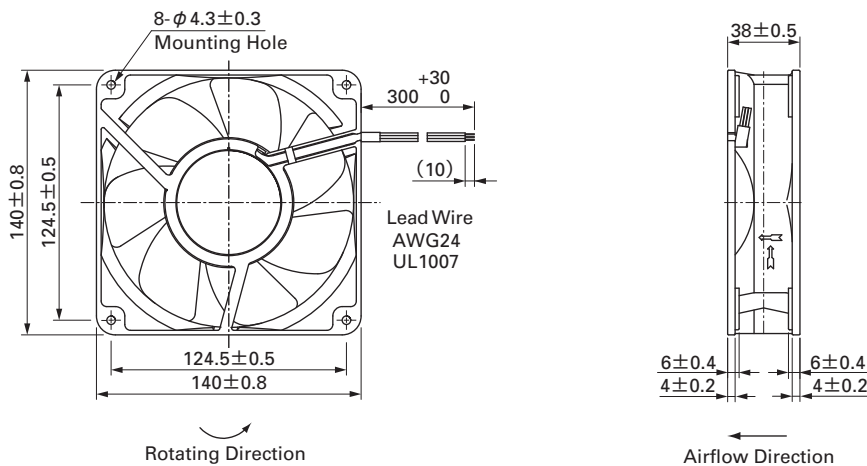
- Material Frame: Aluminum, Impeller:Plastics (Flammability: UL94V-1)
- Life Expectancy Varies for each model(L10:Survival rate: 90% at 60°C , rated voltage,and continuously run in a free air state)
- Lead Wire ⊕red ⊖black (Sensor) yellow
- Storage Temperature -30°C to +70°C (Non-condensing)

140mm×38mm thick (Mass : 600g)

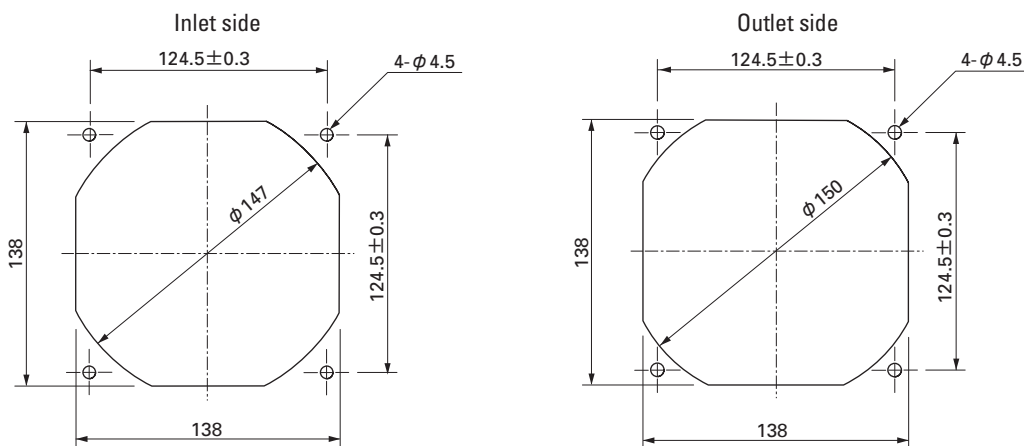
Specifications

Model No.	Rated Voltage (V)	Operating Voltage Range (V)	Rated Current (A)	Rated Input (W)	Rated Speed (min ⁻¹)	Air Flow (m ³ /min) (CFM)	Static Pressure (Pa) (inchH ₂ O)	SPL (dB[A])	Operating Temperature Range (°C)	Life Expectancy (h)
109L1412H101	12	10.2 to 13.8	0.73	8.76	2,600	4.5 159	98 0.394	46	- 10 to + 70	100,000
109L1412M101			0.3	3.6	1,900	3.3 117	52 0.209	38		
109L1424H101	24	20.4 to 27.6	0.37	8.88	2,600	4.5 159	98 0.394	46		
109L1424M101			0.16	3.84	1,900	3.3 117	52 0.209	38		
109L1448H101	48	40.8 to 55.2	0.2	9.6	2,600	4.5 159	98 0.394	46		
109L1448M101			0.09	4.32	1,900	3.3 117	52 0.209	38		

Dimensions (Unit : mm)



Reference dimension of mounting holes and vent opening (Unit : mm)

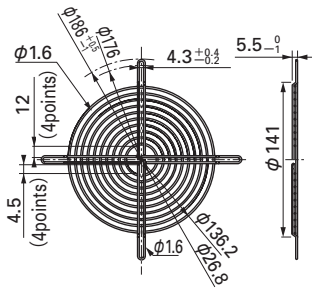


Options (Unit : mm)

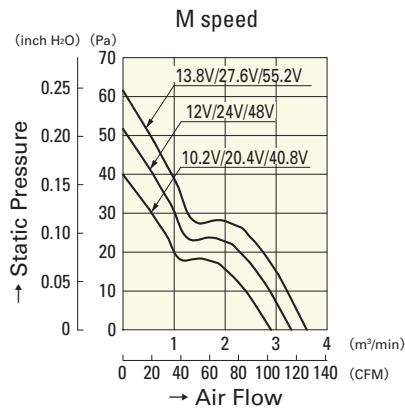
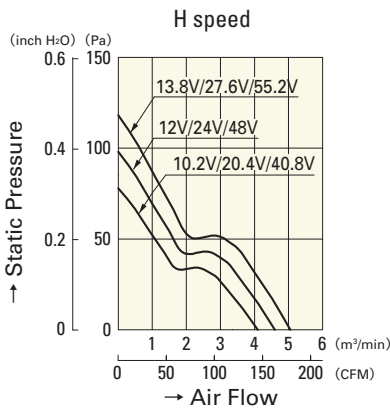
Finger guards

Color
 Model : 109-719 Surface treatment : Nickel-chrome plating (silver)
 : 109-719H : Cation electropainting (black)

Inlet side, Outlet side



Air Flow and Static Pressure Characteristics



109L1412H101

109L1424H101

109L1448H101

109L1412M101

109L1424M101

109L1448M101