

Splash Proof Fan

120mm

San Ace 120W

38mm thick(WP type)

38mm thick(WG type)

38mm thick(WS type)



General Specifications **With a pulse sensor** Specifications for pulse sensors ⇨ Refer to Page 239

*Please inquire about other specifications.

- Material Frame: Aluminum, Impeller: Plastics (Flammability: UL94V-1)
- Life Expectancy Varies for each model(L10:Survival rate: 90% at 60°C , rated voltage, and continuously run in a free air state)
- Lead Wire ⊕red ⊖black (Sensor) yellow
- Storage Temperature ... -30°C to +70°C (Non-condensing)

120mm × 38mm thick

(Mass : 410g)

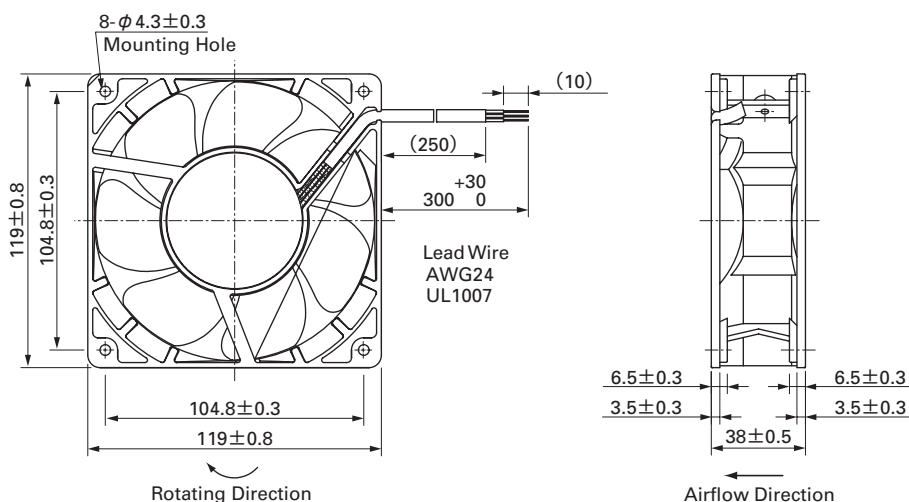
IP 55 Dust resistant device with protection against water jets

WG type

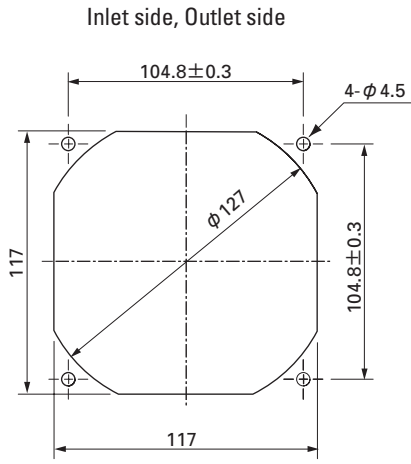
Specifications

Model No.	Rated Voltage (V)	Operating Voltage Range (V)	Rated Current (A)	Rated Input (W)	Rated Speed (min ⁻¹)	Air Flow (m ³ /min) (CFM)	Static Pressure (Pa) (inchH ₂ O)	SPL (dB[A])	Operating Temperature Range (°C)	Life Expectancy (h)
9WG1212J101	12	10.2 to 13.8	1.90	22.8	4,800	5.10 180	230 0.924	57	- 10 to + 70	60,000
9WG1212G101			0.98	11.76	3,600	3.88 137	135 0.542	49		80,000
9WG1212E101			0.61	7.32	3,100	3.34 118	100 0.402	46		80,000
9WG1212H101		7 to 13.8	0.38	4.56	2,600	2.80 99	70.4 0.283	39		100,000
9WG1212F101			0.28	3.36	2,280	2.45 87	54.2 0.218	36		100,000
9WG1212M101			0.21	2.52	1,950	2.10 74	39.6 0.159	32		100,000
9WG1224J101	24	20.4 to 27.6	1.00	24	4,800	5.10 180	230 0.942	57		60,000
9WG1224G101			0.50	12	3,600	3.88 137	135 0.542	49		80,000
9WG1224E101			0.34	8.16	3,100	3.34 118	100 0.402	46		80,000
9WG1224H101		14 to 27.6	0.22	5.28	2,600	2.80 99	70.4 0.283	39		100,000
9WG1224F101			0.16	3.84	2,280	2.45 87	54.2 0.218	36		100,000
9WG1224M101			0.11	2.64	1,950	2.10 74	39.6 0.159	32		100,000
9WG1248J101	48	40.8 to 55.2	0.51	24.48	4,800	5.10 180	230 0.924	57	60,000	
9WG1248G101			0.25	12	3,600	3.88 137	135 0.542	49	80,000	
9WG1248E101			0.17	8.16	3,100	3.34 118	100 0.402	46	80,000	
9WG1248H101			0.11	5.28	2,600	2.80 99	70.4 0.283	39	100,000	
9WG1248F101			0.09	4.32	2,280	2.45 87	54.2 0.218	36	100,000	
9WG1248M101			0.07	3.36	1,950	2.10 74	39.6 0.159	32	100,000	

Dimensions (Unit : mm)



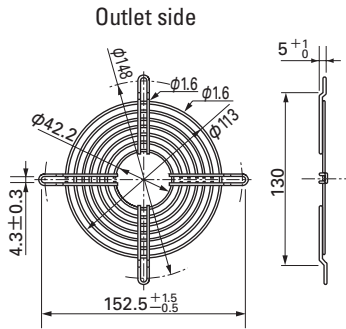
■ Reference dimension of mounting holes and vent opening (Unit : mm)



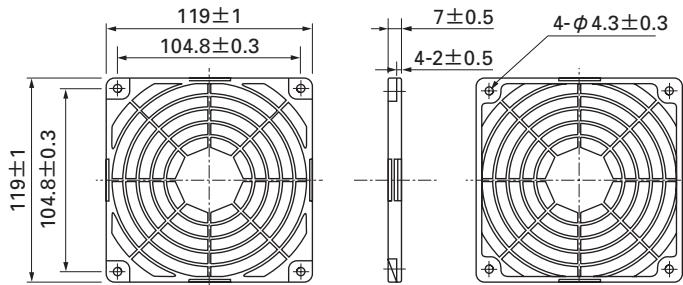
■ Options (Unit : mm)

Finger guards

Color
 Surface treatment : Nickel-chrome plating (silver)
 : Cation electropainting (black)

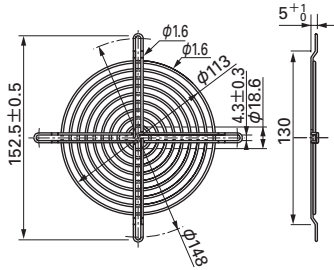


Resin Finger guards



Model : 109-019E Surface treatment : Nickel-chrome plating (silver)
 : 109-019K : Cation electropainting (black)

Inlet side, Outlet side



120mm

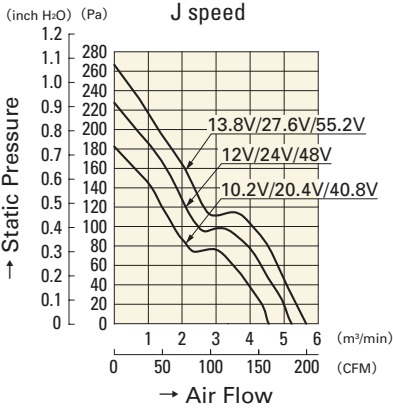
San Ace 120W

120mm x 38mm thick (Mass : 410g)

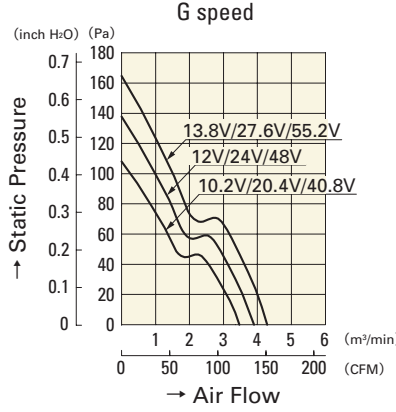
IP 55 Dust resistant device with protection against water jets

WG_{type}

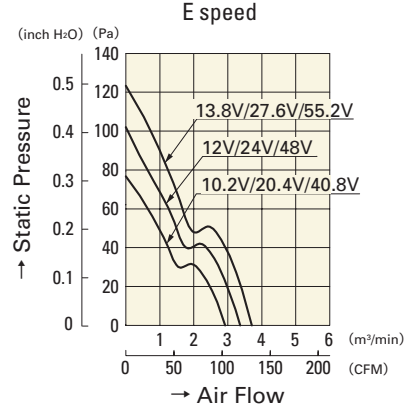
Air Flow and Static Pressure Characteristics



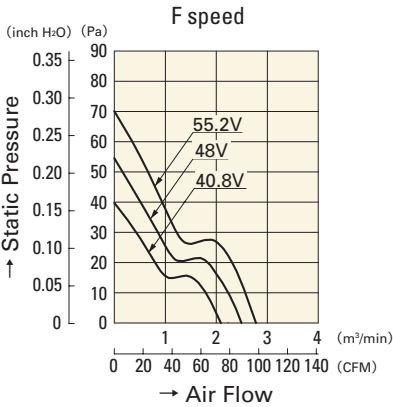
9WG1212J101
9WG1224J101
9WG1248J101



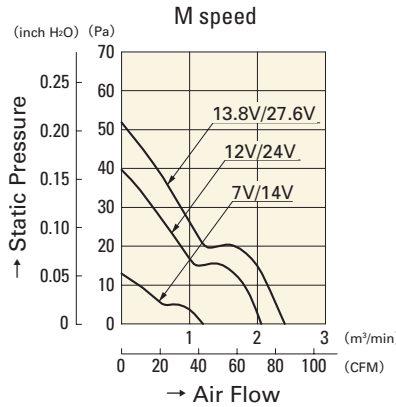
9WG1212G101
9WG1224G101
9WG1248G101



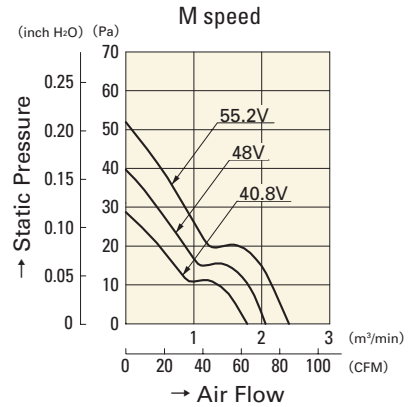
9WG1212E101
9WG1224E101
9WG1248E101



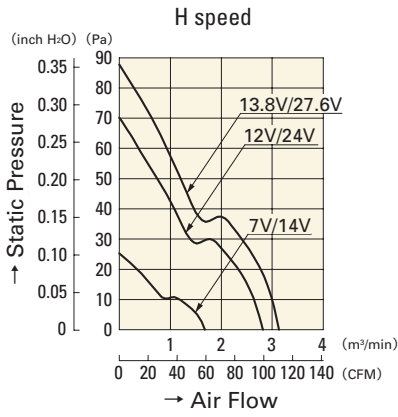
9WG1248F101



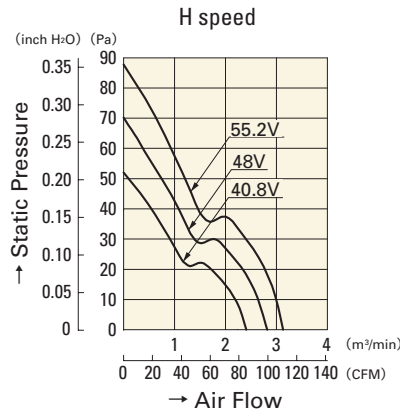
9WG1212M101
9WG1224M101



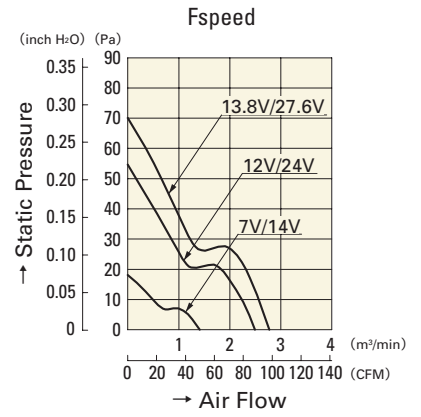
9WG1248M101



9WP1212H101(1011)
9WP1224H101(1011)



9WG1248H101



9WG1212F101
9WG1224F101