

**Splash Proof Fan**

**120mm**

**San Ace 120W**

38mm thick(WP type)  
38mm thick(WG type)  
38mm thick(WS type)



**General Specifications** With a pulse sensor Specifications for pulse sensors ⇨ Refer to Page 239

.....\*Please inquire about other specifications.

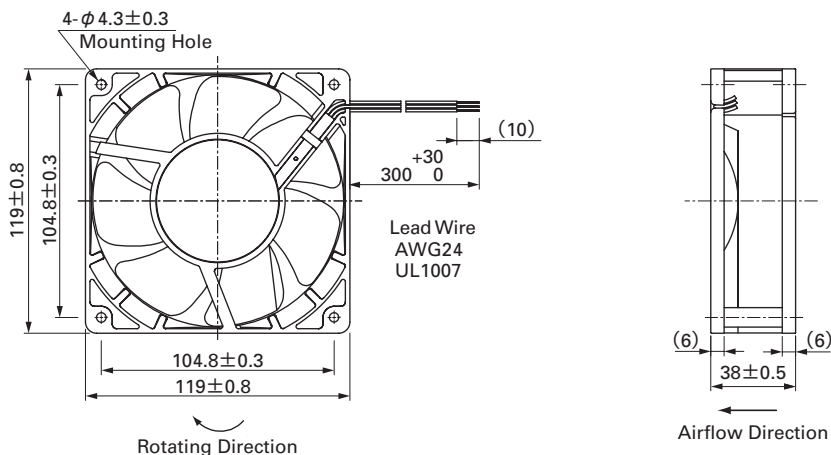
- Material ..... Frame: Plastics (Flammability: UL94V-0),  
Impeller: Plastics (Flammability: UL94V-1)
- Life Expectancy ..... Varies for each model(L10:Survival rate: 90% at 60°C ,  
rated voltage,and continuously run in a free air state)
- Lead Wire ..... ⊕red ⊖black (Sensor) yellow
- Storage Temperature ..... -30°C to +70°C (Non-condensing)

**120mm×38mm thick** (Mass : 260g) **IP 54** Dust resistant device with protection against water spray **WS type**

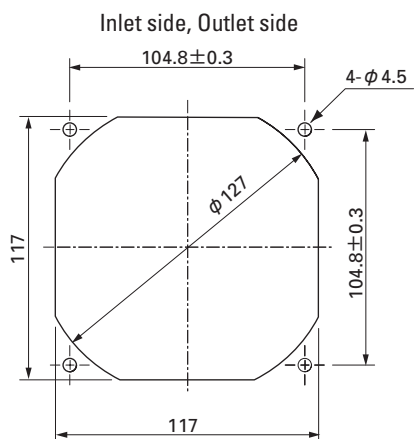
**Specifications** The numbers in ( ) represent ribless models.

Model No.	Rated Voltage (V)	Operating Voltage Range (V)	Rated Current (A)	Rated Input (W)	Rated Speed (min <sup>-1</sup> )	Air Flow (m <sup>3</sup> /min) (CFM)		Static Pressure (Pa) (inchH <sub>2</sub> O)		SPL (dB[A])	Operating Temperature Range (°C)	Life Expectancy (h)
9WS1212H101(1011)	12	6 to 13.2	0.47	5.64	2,600	2.9	102.4	67.62	0.272	39	- 10 to + 60	40,000
9WS1212M101(1011)		6 to 13.8	0.23	2.76	1,950	2.2	77.7	42.14	0.169	32	- 10 to + 70	
9WS1224H101(1011)	24	12 to 26.4	0.23	5.52	2,600	2.9	102.4	67.62	0.272	39	- 10 to + 60	
9WS1224M101(1011)		12 to 27.6	0.13	3.12	1,950	2.2	77.7	42.14	0.169	32	- 10 to + 70	
9WS1248H101(1011)	48	40.8 to 52.8	0.13	6.24	2,600	2.9	102.4	67.62	0.272	39	- 10 to + 60	
9WS1248M101(1011)		40.8 to 55.2	0.07	3.36	1,950	2.2	77.7	42.14	0.169	32	- 10 to + 70	

**Dimensions (Unit : mm)**



**Reference dimension of mounting holes and vent opening (Unit : mm)**

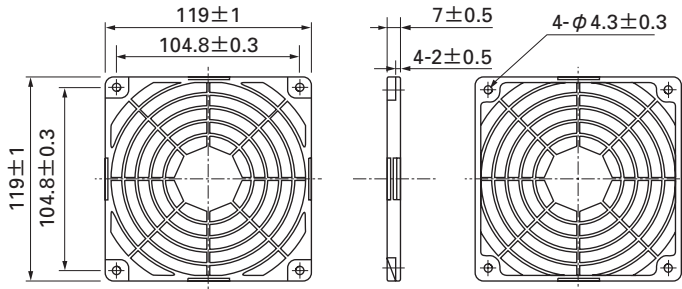
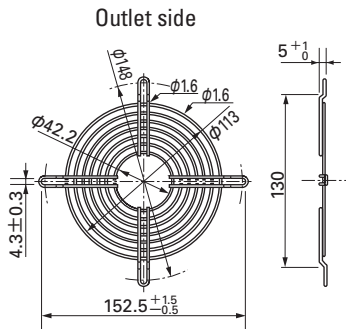


**Options (Unit : mm)**

**Finger guards**  
Model : 109-019C  
: 109-019H

Surface treatment : Nickel-chrome plating (silver)  
: Cation electropainting (black)

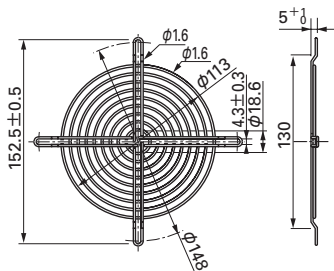
**Resin Finger guard**  
Model : 109-1000F



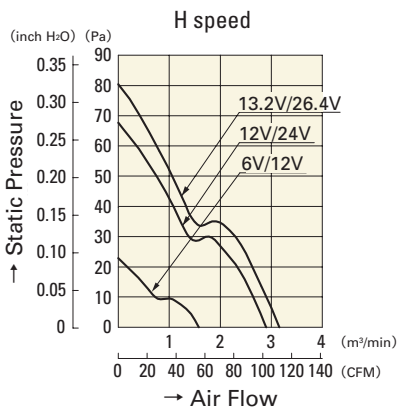
Model : 109-019E  
: 109-019K

Surface treatment : Nickel-chrome plating (silver)  
: Cation electropainting (black)

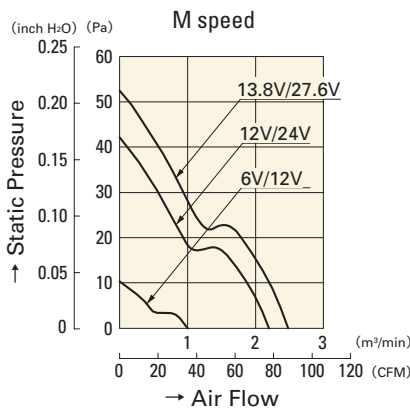
**Inlet side, Outlet side**



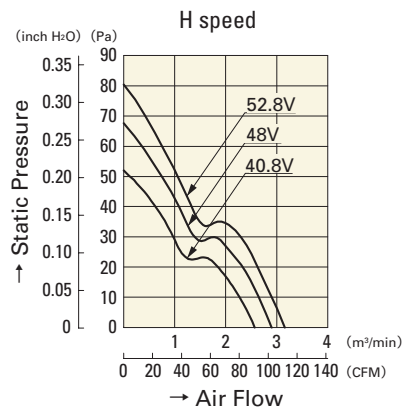
**Air Flow and Static Pressure Characteristics**



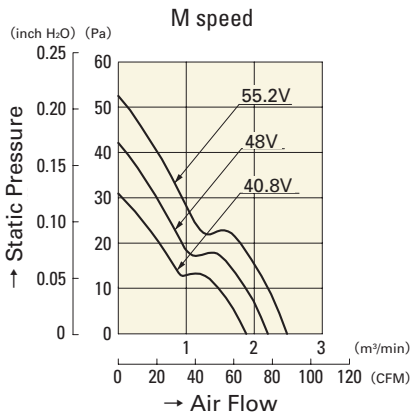
**9WS1212H101(1011)**  
**9WS1224H101(1011)**



**9WS1212M101(1011)**  
**9WS1224M101(1011)**



**9WS1248H101(1011)**



**9WS1248M101(1011)**

Splash Proof Fan 120mm

120mm