

DC Fan

**120mm**

**San Ace 120**

25mm thick (G type), 38mm thick (GV type)  
38mm thick (G type), 38mm thick (SG type)



**General Specifications** With a pulse sensor Specifications for pulse sensors ⇨ Refer to Page 239

\*Please inquire about other specifications.

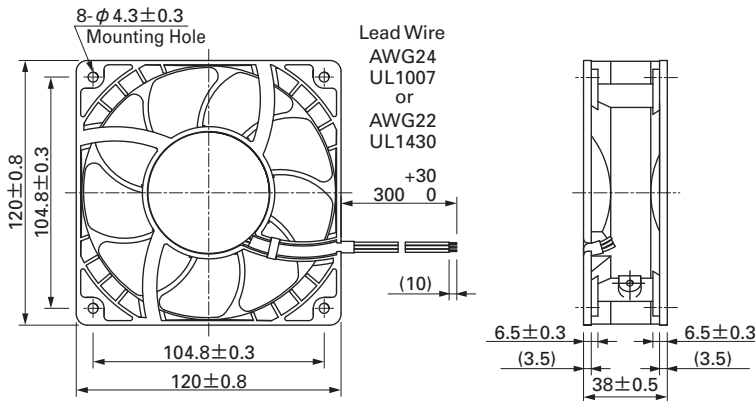
- Material ..... Frame: Aluminum, Impeller:Plastics (Flammability: UL94V-1)
- Life Expectancy ..... Varies for each model (L10:Survival rate:90% at 60°C ,  
rated voltage, and continuously run in a free air state)
- Lead Wire ..... ⊕red ⊖black Sensor yellow
- Storage Temperature ... -30°C to +70°C (Non-condensing)

**120mm×38mm thick** (Mass : 400g) **SG type**

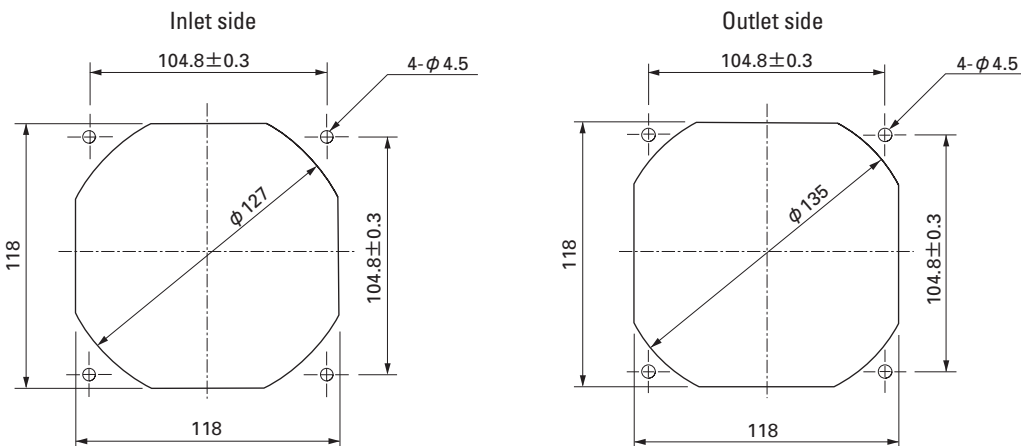
**Specifications**

Model No.	Rated Voltage (V)	Operating Voltage Range (V)	Rated Current (A)	Rated Input (W)	Rated Speed (min <sup>-1</sup> )	Air Flow (m <sup>3</sup> /min) (CFM)	Static Pressure (Pa) (inchH <sub>2</sub> O)	SPL (dB[A])	Operating Temperature Range (°C)	Life Expectancy (h)
9SG1212G101	12	10.2 to 13.8	4.0	48.0	6,000	7.35 260	340 1.37	64	- 10 to +70	40,000
9SG1224G101	24	20.4 to 27.6	2.0	48.0	6,000	7.35 260	340 1.37	64		
9SG1248G101	48	40.8 to 55.2	1.0	48.0	6,000	7.35 260	340 1.37	64		

**Dimensions (Unit : mm)**



**Reference dimension of mounting holes and vent opening (Unit : mm)**

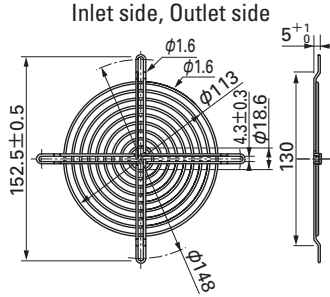
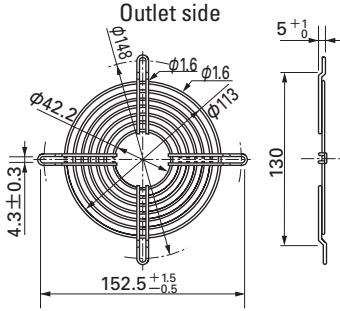


Options (Unit : mm)

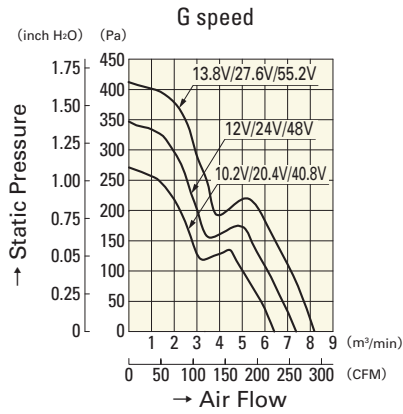
Finger guards

Model : 109-019C Surface treatment : Nickel-chrome plating (silver) Color  
 : 109-019H : Cation electropainting (black)

Model : 109-019E Surface treatment : Nickel-chrome plating (silver) Color  
 : 109-019K : Cation electropainting (black)



Air Flow and Static Pressure Characteristics



9SG1212G101

9SG1224G101

9SG1248G101