

Oil Proof Fan

120mm

San Ace 120WF

38mm thick



General Specifications **With a pulse sensor** Specifications for pulse sensors ⇨ Refer to Page 239

*Please inquire about other specifications.

- Material Frame: Plastics (Flammability: UL94V-0), Impeller: Plastics (Flammability: UL94V-0)
- Life Expectancy Varies for each model(L10:Survival rate: 90% at 60°C , rated voltage, and continuously run in a free air state)
- Lead Wire ⊕red ⊖black **Sensor** yellow
- Storage Temperature -30°C to +70°C (Non-condensing)

The product can be used in an oil mist environment*

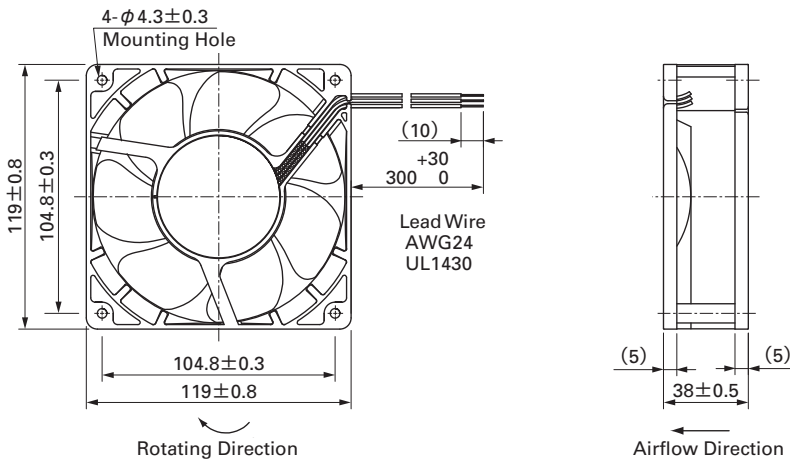
*Environment where machining oil mist is scattered.
Usage of this product requires an evaluation with the oil that will be used.

120mm×38mm thick (Mass : 355g)

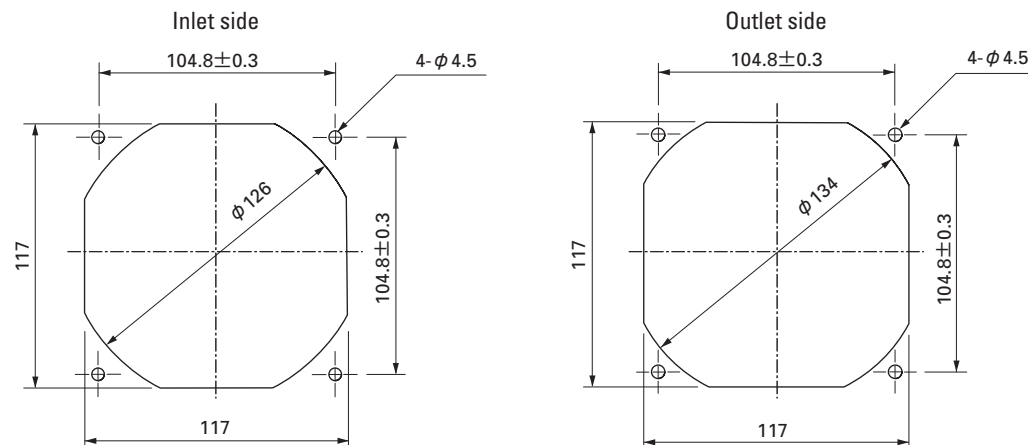
Specifications

Model No.	Rated Voltage (V)	Operating Voltage Range (V)	Rated Current (A)	Rated Input (W)	Rated Speed (min ⁻¹)	Air Flow (m ³ /min) (CFM)	Static Pressure (Pa) (inchH ₂ O)	SPL (dB[A])	Operating Temperature Range (°C)	Life Expectancy (h)
9WF1224H101	24	20.4 to 27.6	0.32	7.68	3,100	3.34 118	100 0.402	46	- 10 to + 70	40,000

Dimensions (Unit : mm)



Reference dimension of mounting holes and vent opening (Unit : mm)

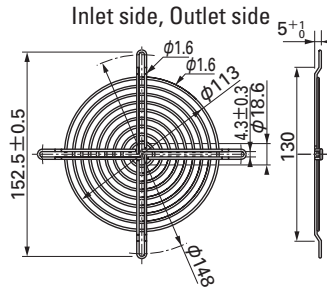
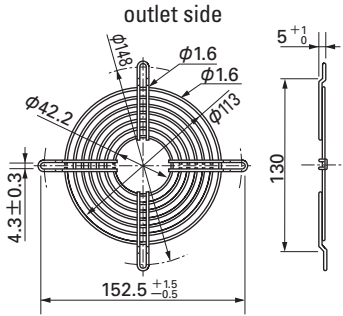


Options (Unit : mm)

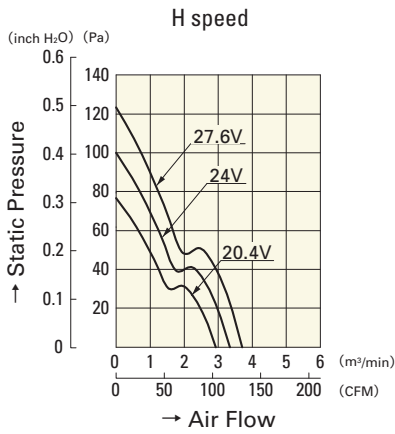
Finger guards

Model : 109-019C Surface treatment : Nickel-chrome plating (silver) Color : 109-019H : Cation electropainting (black)

Model : 109-019E Surface treatment : Nickel-chrome plating (silver) Color : 109-019K : Cation electropainting (black)



Air Flow and Static Pressure Characteristics



9WF1224H101