

**Splash Proof Fan**

**80mm**

**San Ace 80W**

25mm thick  
 25mm thick(WP type)  
 25mm thick(WS type)



**General Specifications** With a pulse sensor Specifications for pulse sensors ⇔ Refer to Page 239

\*Please inquire about other specifications.

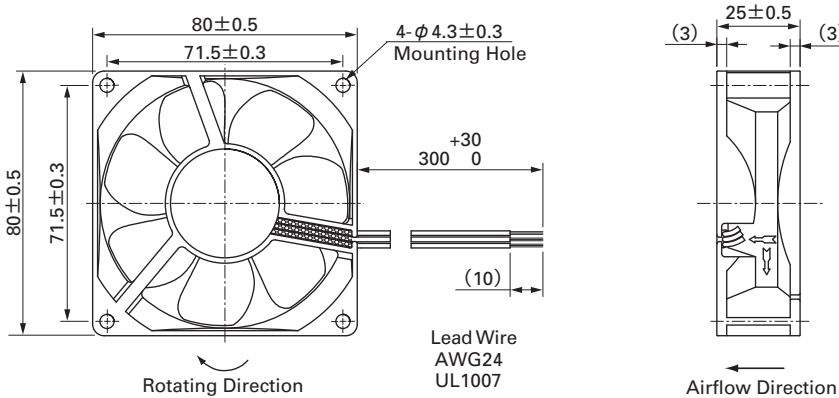
- Material.....Frame: Plastics (Flammability: UL94V-0),  
 Impeller:Plastics (Flammability: UL94V-1)
- Life Expectancy .....Varies for each model(L10:Survival rate: 90% at 60°C ,  
 rated voltage,and continuously run in a free air state)
- Lead Wire .....⊕red ⊖black (Sensor) yellow
- Storage Temperature .....-30°C to +70°C (Non-condensing)

**80mm×25mm thick** (Mass : 130g) **IP 55** Dust resistant device with protection against water jets **WPtype**

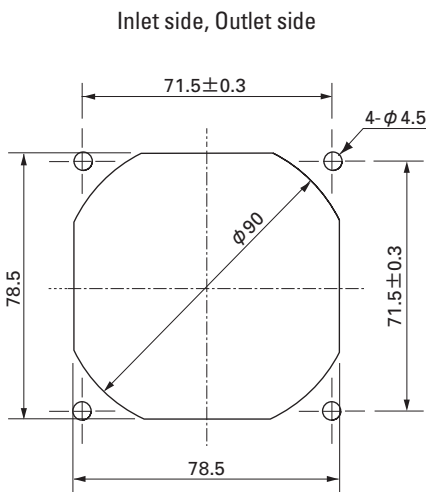
**Specifications** The numbers in ( ) represent ribless models.

Model No.	Rated Voltage (V)	Operating Voltage Range (V)	Rated Current (A)	Rated Input (W)	Rated Speed (min <sup>-1</sup> )	Air Flow (m <sup>3</sup> /min) (CFM)	Static Pressure (Pa) (inchH <sub>2</sub> O)	SPL (dB[A])	Operating Temperature Range (°C)	Life Expectancy (h)
9WP0812H401(4011)	12	10.2 to 13.8	0.13	1.56	2,900	1.03 36.4	35.3 0.142	29	- 10 to + 70	60,000
9WP0824H401(4011)	24	20.4 to 27.6	0.07	1.68	2,900	1.03 36.4	35.3 0.142	29		
9WP0848S401(4011)	48	40.8 to 55.2	0.06	2.88	3,400	1.20 42.4	48.0 0.193	34		40,000

**Dimensions (Unit : mm)**



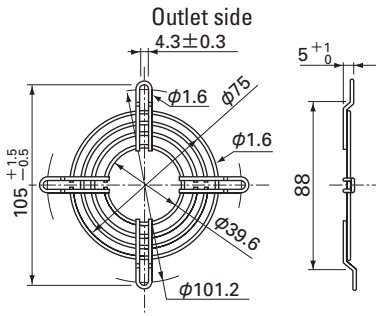
**Reference dimension of mounting holes and vent opening (Unit : mm)**



## Options (Unit : mm)

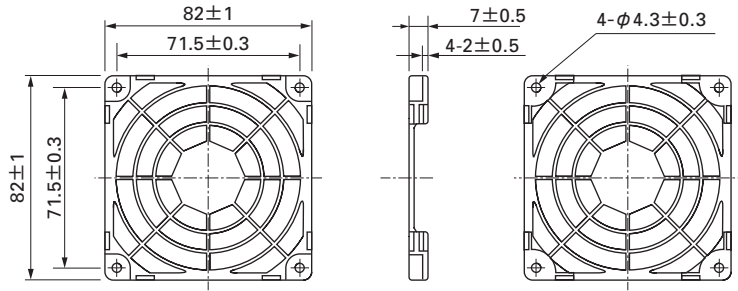
### Finger guards

Model : 109-049C Color Surface treatment : Nickel-chrome plating (silver)

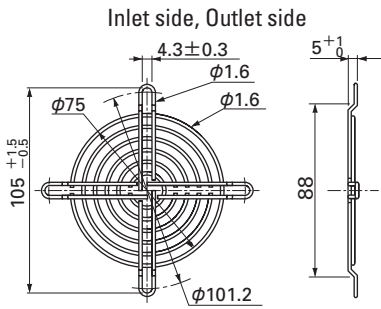


### Resin Finger guards

Model : 109-1002G

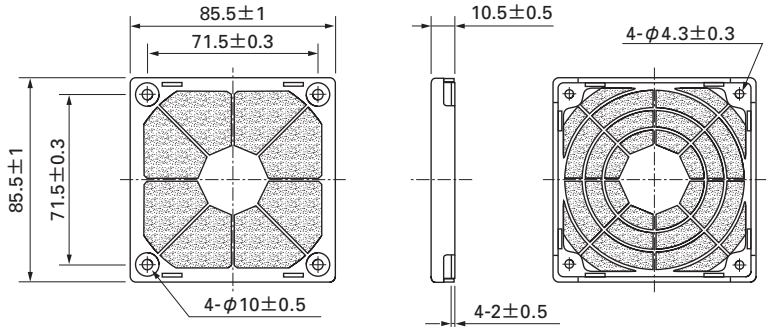


Model : 109-049E Color Surface treatment : Nickel-chrome plating (silver)  
: 109-049H : Cation electropainting (black)

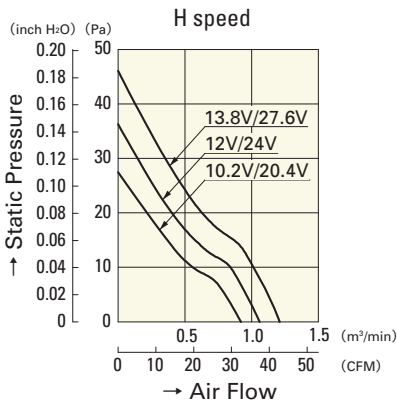


### Resin filter kits

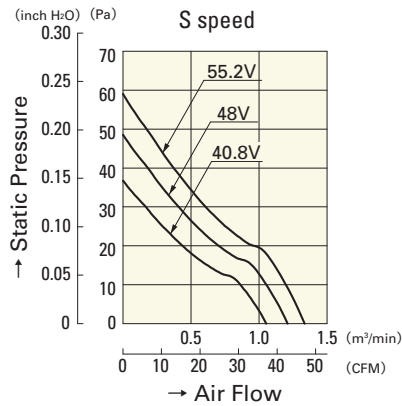
Model : 109-1002F13 (13PPI), 109-1002F20 (20PPI)  
: 109-1002F30 (30PPI), 109-1002F40 (40PPI)



## Air Flow and Static Pressure Characteristics



**9WP0812H401(4011)**  
**9WP0824H401(4011)**



**9WP0848S401(4011)**