

**DC Fan**

**80mm**

**San Ace 80**

15mm thick, 20mm thick, 25mm thick  
 25mm thick (San Cooler), 32mm thick  
 38mm thick (GV type), 38mm thick (G type)



**General Specifications** With a pulse sensor Specifications for pulse sensors ⇨ Refer to Page 239

\*Please inquire about other specifications.

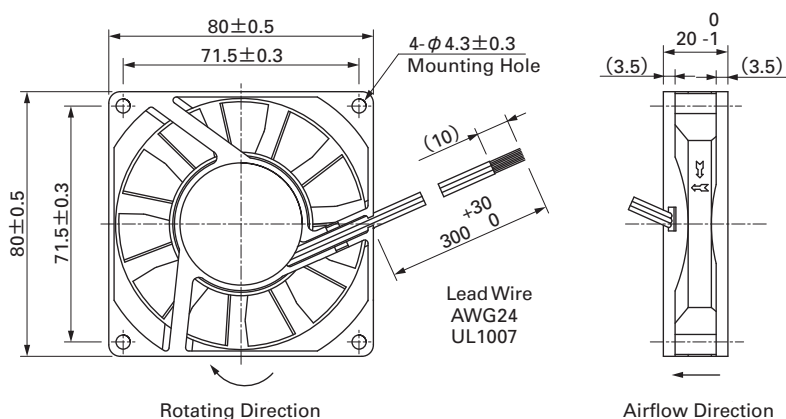
- Material ..... Frame: Plastics (Flammability: UL94V-0),  
Impeller: Plastics (Flammability: UL94V-1)
- Life Expectancy ..... Varies for each model (L10: Survival rate: 90% at 60°C, rated voltage, and continuously run in a free air state)
- Lead Wire ..... ⊕red ⊖black (Sensor) yellow
- Storage Temperature ..... -30°C to +70°C (Non-condensing)

**80mm × 20mm thick** (Mass : 100g)

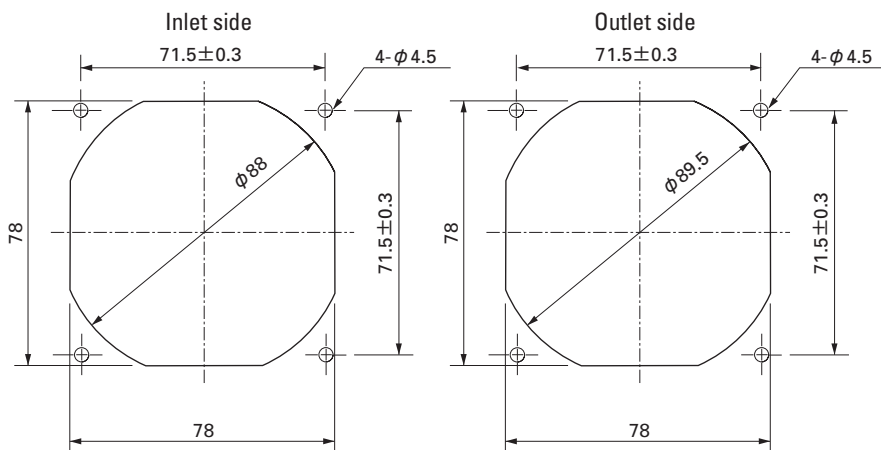
**Specifications**

Model No.	Rated Voltage (V)	Operating Voltage Range (V)	Rated Current (A)	Rated Input (W)	Rated Speed (min <sup>-1</sup> )	Air Flow (m <sup>3</sup> /min) (CFM)	Static Pressure (Pa) (inchH <sub>2</sub> O)	SPL (dB(A))	Operating Temperature Range (°C)	Life Expectancy (h)
<b>109P0812C601</b>	12	10.2 to 13.8	0.29	3.48	3,700	1.07 37.8	46 0.185	39	-10 to +60	60,000
<b>109P0812H601</b>			0.21	2.52	2,900	0.84 29.7	29.4 0.118	31		
<b>109P0812M601</b>			0.13	1.56	2,300	0.67 23.7	18.6 0.075	25		
<b>109P0824H601</b>	24	20.4 to 27.6	0.12	2.88	2,900	0.84 29.7	29.4 0.118	31	-10 to +70	60,000
<b>109P0824M601</b>			0.07	1.68	2,300	0.67 23.7	18.6 0.075	25		
<b>109P0848C601</b>	48	38 to 57.6	0.08	3.84	3,700	1.07 37.8	46 0.185	39	-10 to +70	40,000
<b>109P0848H601</b>			0.05	2.4	2,900	0.84 29.7	29.4 0.118	31		

**Dimensions (Unit : mm)**



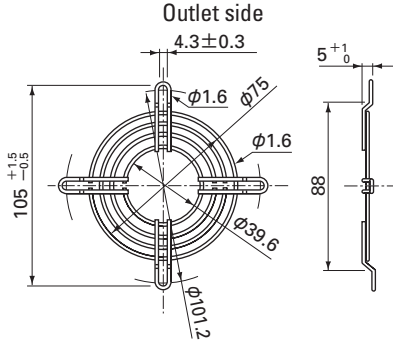
**Reference dimension of mounting holes and vent opening (Unit : mm)**



Options (Unit : mm)

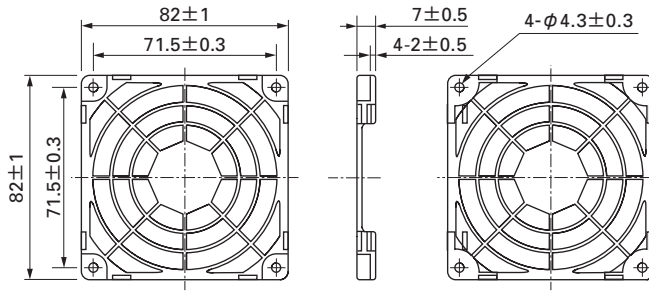
Finger guards

Model : 109-049C Color Surface treatment : Nickel-chrome plating (silver)



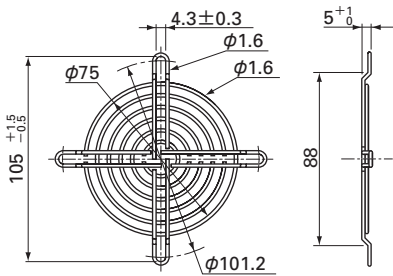
Resin finger guards

Model : 109-1002G



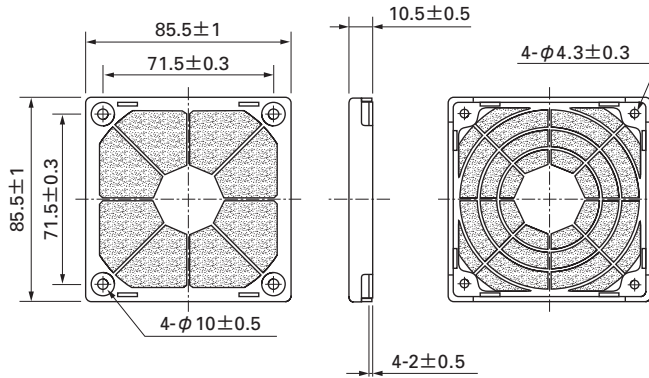
Model : 109-049E Color Surface treatment : Nickel-chrome plating (silver)  
: 109-049H : Cation electropainting (black)

Inlet side, Outlet side

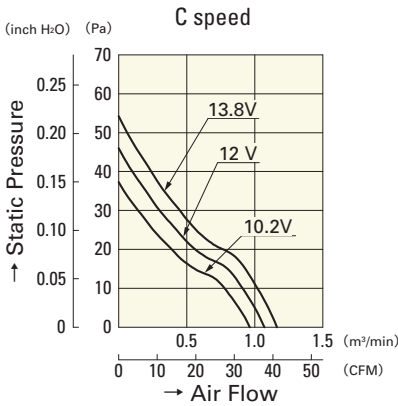


Resin filter kits

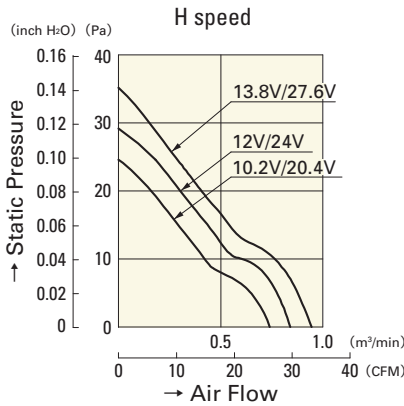
Model : 109-1002F13 (13PPI), 109-1002F20 (20PPI)  
: 109-1002F30 (30PPI), 109-1002F40 (40PPI)



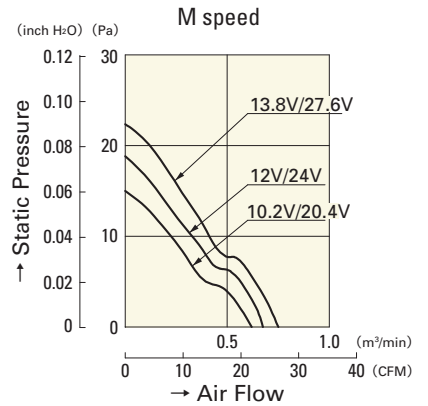
Air Flow and Static Pressure Characteristics



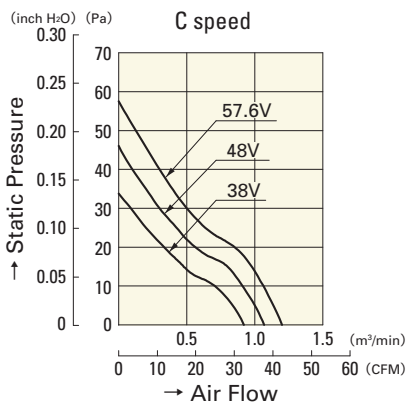
109P0812C601



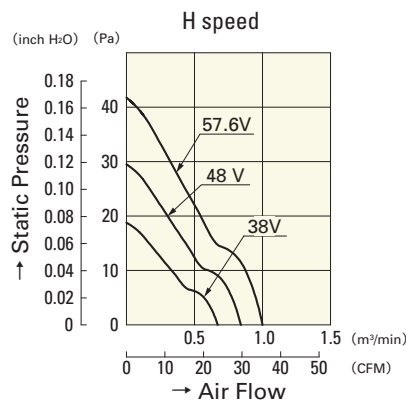
109P0812H601  
109P0824H601



109P0812M601  
109P0824M601



109P0848C601



109P0848H601