

DC Fan

80mm

San Ace 80

15mm thick, 20mm thick, 25mm thick
 25mm thick (San Cooler), 32mm thick
 38mm thick (GV type), 38mm thick (G type)



General Specifications With a pulse sensor Specifications for pulse sensors ⇔ Refer to Page 239

*Please inquire about other specifications.

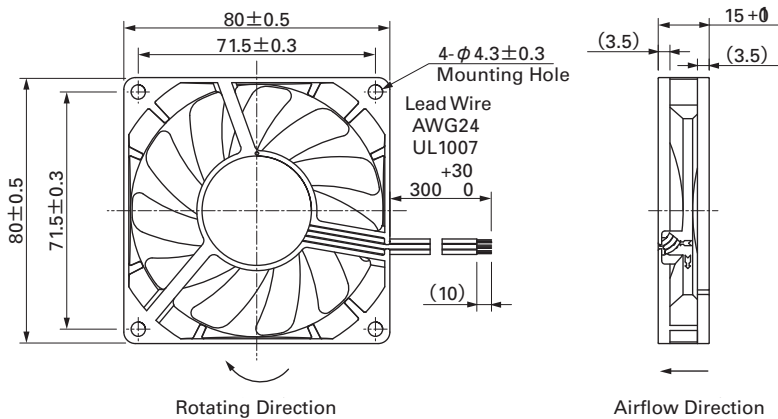
- Material Frame: Plastics (Flammability: UL94V-0),
 Impeller: Plastics (Flammability: UL94V-0)
- Life Expectancy Varies for each model (L10: Survival rate: 90% at 60°C,
 and continuously run in a free air state)
- Lead Wire ⊕red ⊖black (Sensor) yellow
- Storage Temperature -30°C to +70°C (Non-condensing)

80mm × 15mm thick (Mass : 68g)

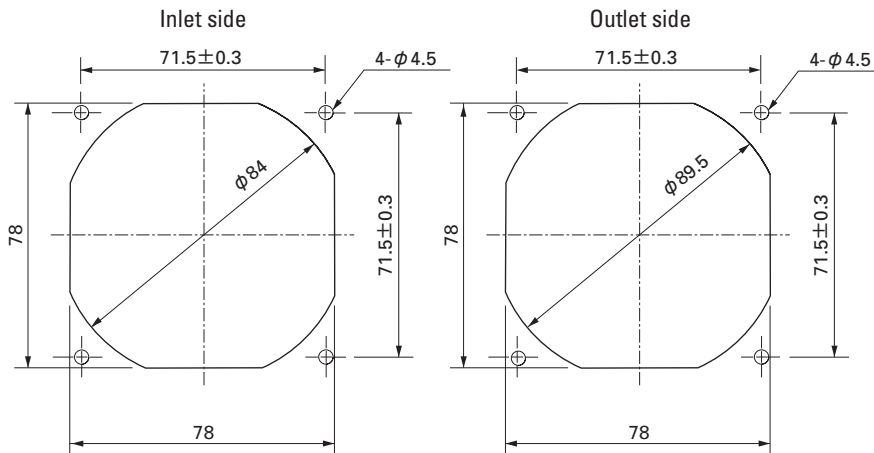
Specifications

Model No.	Rated Voltage (V)	Operating Voltage Range (V)	Rated Current (A)	Rated Input (W)	Rated Speed (min ⁻¹)	Air Flow (m ³ /min) (CFM)	Static Pressure (Pa) (inchH ₂ O)	SPL (dB[A])	Operating Temperature Range (°C)	Life Expectancy (h)
109P0812H701	12	7 to 13.8	0.2	2.4	3,100	0.91 32.1	29.4 0.118	31	-10 to +70	40,000
109P0812M701			0.09	1.08	2,000	0.57 20.1	12.6 0.051	21		60,000
109P0824H701	24	14 to 27.6	0.1	2.4	3,100	0.91 32.1	29.4 0.118	31		40,000
109P0824M701			0.05	1.2	2,000	0.57 20.1	12.6 0.051	21		60,000

Dimensions (Unit : mm)



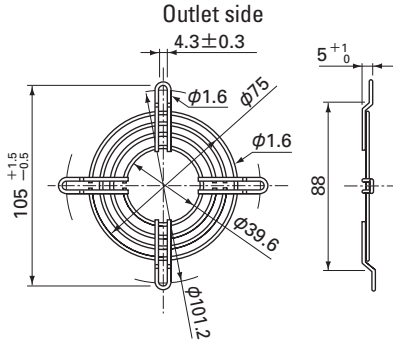
Reference dimension of mounting holes and vent opening (Unit : mm)



Options (Unit : mm)

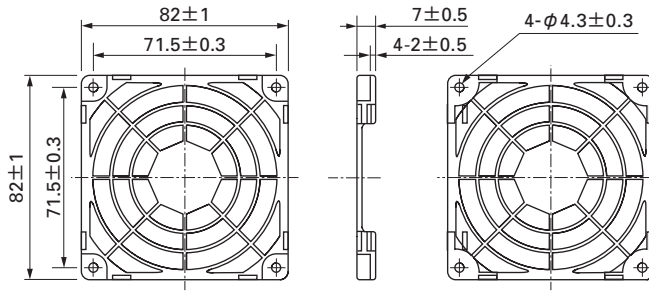
Finger guards

Model : 109-049C Color : Nickel-chrome plating (silver)
Surface treatment : Nickel-chrome plating (silver)



Resin finger guards

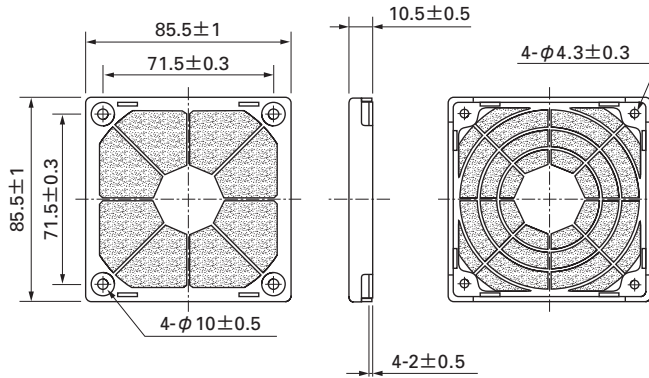
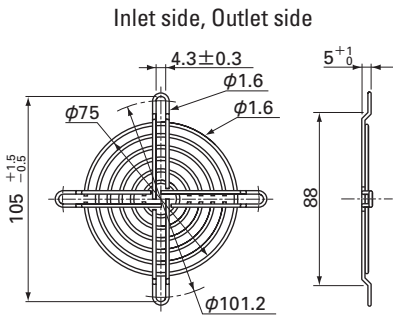
Model : 109-1002G



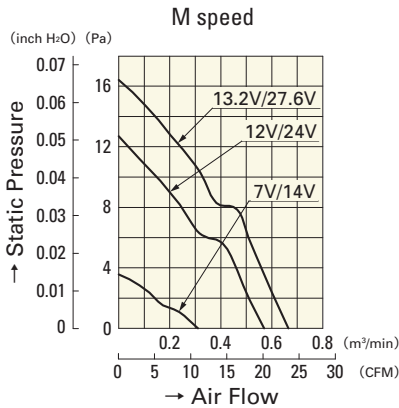
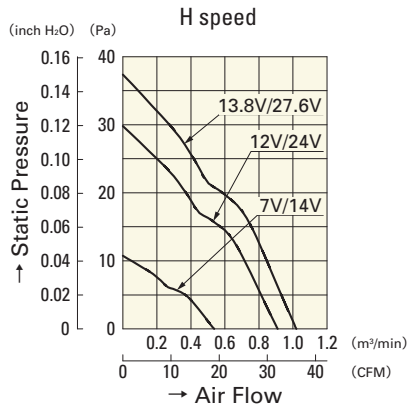
Model : 109-049E Color : Nickel-chrome plating (silver)
Surface treatment : Nickel-chrome plating (silver)
: 109-049H : Cation electropainting (black)

Resin filter kits

Model : 109-1002F13 (13PPI), 109-1002F20 (20PPI)
: 109-1002F30 (30PPI), 109-1002F40 (40PPI)



Air Flow and Static Pressure Characteristics



109P0812H701
109P0824H701

109P0812M701
109P0824M701