

**Splash Proof Fan**

**60mm**

**San Ace 60W**

25mm thick(WP type)



**General Specifications** With a pulse sensor Specifications for pulse sensors ⇨ Refer to Page 239

\*Please inquire about other specifications.

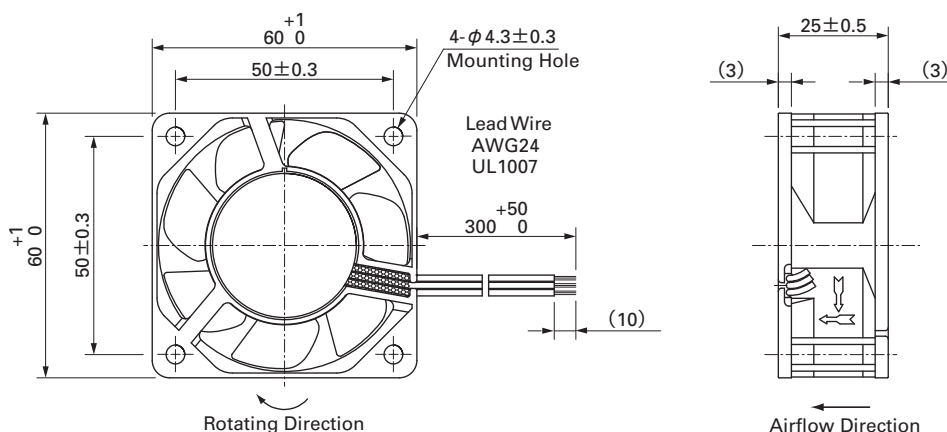
- Material.....Frame: Plastics (Flammability: UL94V-0),  
Impeller:Plastics (Flammability: UL94V-1)
- Life Expectancy .....Varies for each model (L10:Survival rate:90% at 60°C ,  
rated voltage, and continuously run in a free air state)
- Lead Wire .....⊕red ⊖black (Sensor) yellow
- Storage Temperature .....-30°C to +70°C (Non-condensing)

**60mm × 25mm thick** (Mass : 110g) **IP 55** Dust resistant device with protection against water jets **WPtype**

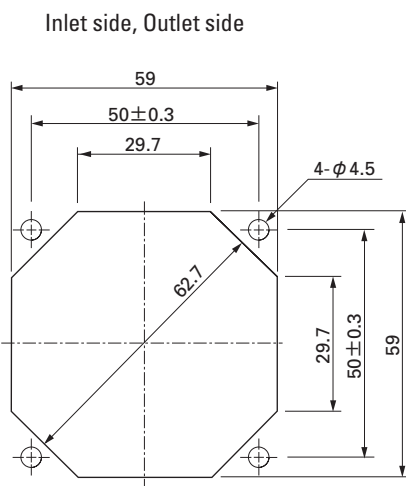
**Specifications** The numbers in ( ) represent ribless models.

Model No.	Rated Voltage (V)	Operating Voltage Range (V)	Rated Current (A)	Rated Input (W)	Rated Speed (min <sup>-1</sup> )	Air Flow (m <sup>3</sup> /min) (CFM)	Static Pressure (Pa) (inchH <sub>2</sub> O)	SPL (dB[A])	Operating Temperature Range (°C)	Life Expectancy (h)
9WP0612H401(4011)	12	10.2 to 13.8	0.11	1.32	3,800	0.53 18.7	40.2 0.161	28	- 10 to +70	60,000
9WP0624H401(4011)	24	20.4 to 27.6	0.06	1.44	3,800	0.53 18.7	40.2 0.161	28		
9WP0648H401(4011)	48	40 to 53	0.04	1.92	3,800	0.53 18.7	40.2 0.161	28		

**Dimensions (Unit : mm)**



**Reference dimension of mounting holes and vent opening (Unit : mm)**

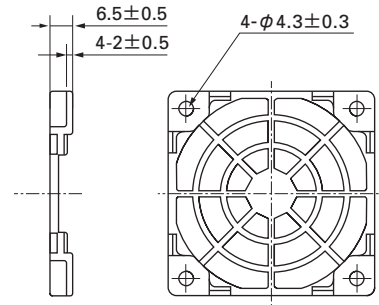
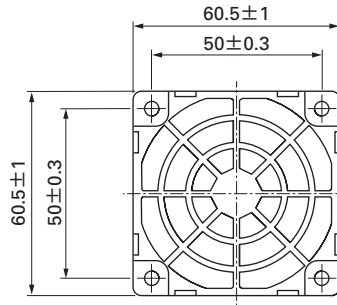
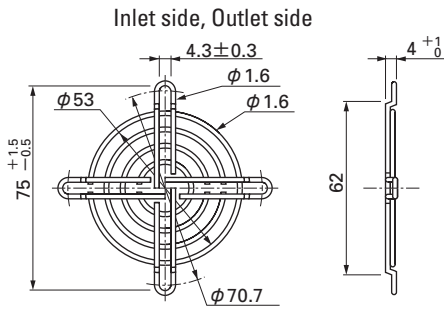


## Options (Unit : mm)

### Finger guards

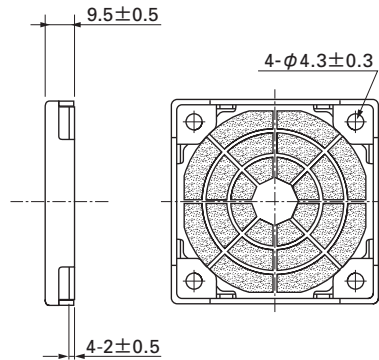
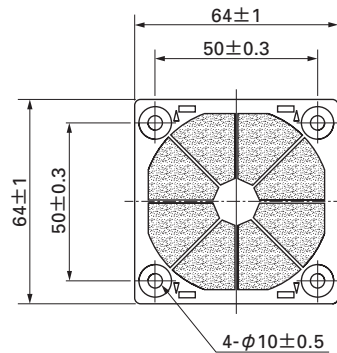
Model : 109-139E Surface treatment : Nickel-chrome plating (silver)  
 : 109-139H : Cation electropainting (black)

Color

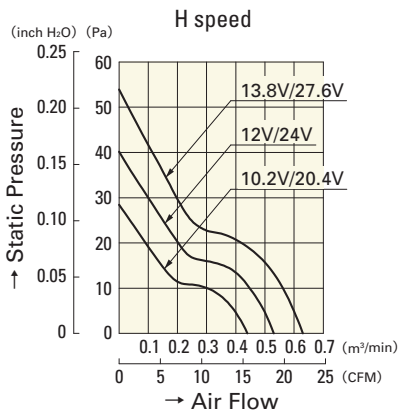


### Resin filter kits

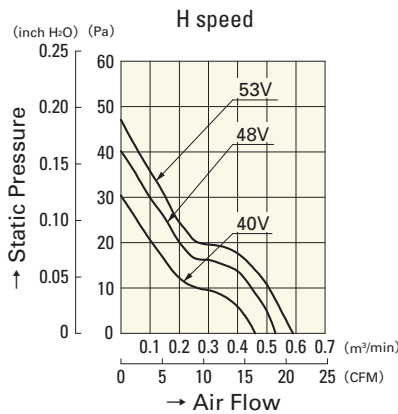
Model : 109-1003F13 (13PPI), 109-1003F20 (20PPI)  
 : 109-1003F30 (30PPI), 109-1003F40 (40PPI)



## Air Flow and Static Pressure Characteristics



**9WP0612H402(4021)**  
**9WP0624H402(4021)**



**9WP0648H402(4021)**