

**DC Fan**

**60mm**

**San Ace 60**

15mm thick, 20mm thick, 25mm thick  
25mm thick (San Cooler)  
38mm thick (G type)



**General Specifications** With a pulse sensor Specifications for pulse sensors ⇔ Refer to Page 239

\*Please inquire about other specifications.

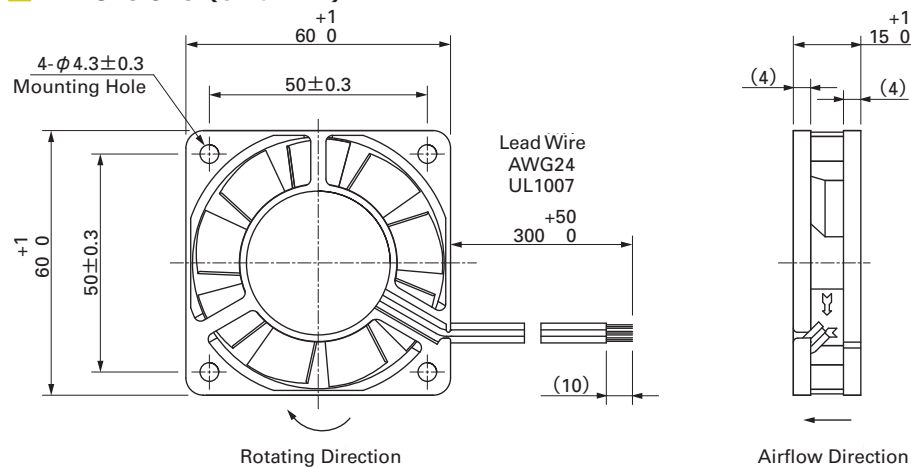
- Material ..... Frame: Plastics (Flammability: UL94V-0),  
Impeller: Plastics (Flammability: UL94V-1)
- Life Expectancy ..... Varies for each model (L10: Survival rate: 90% at 60°C, rated voltage, and continuously run in a free air state)
- Lead Wire ..... ⊕red ⊖black (Sensor) yellow
- Storage Temperature ..... -30°C to +70°C (Non-condensing)

**60mm × 15mm thick** [Mass : 60g]

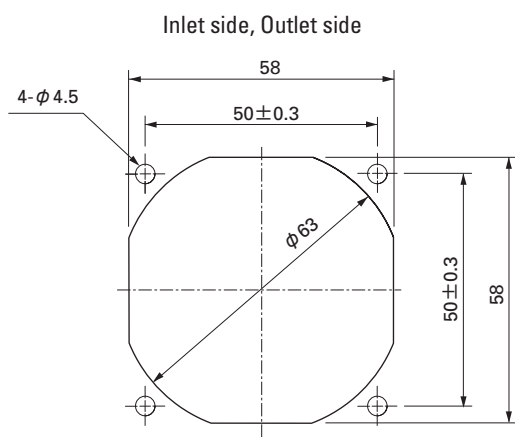
**Specifications**

Model No.	Rated Voltage (V)	Operating Voltage Range (V)	Rated Current (A)	Rated Input (W)	Rated Speed (min <sup>-1</sup> )	Air Flow (m <sup>3</sup> /min) (CFM)	Static Pressure (Pa) (inchH <sub>2</sub> O)	SPL (dB[A])	Operating Temperature Range (°C)	Life Expectancy (h)	
<b>109P0605H701</b>	5	4.5 to 5.5	0.26	1.30	4,100	0.40 14.1	38.2 0.153	32	-10 to +70	60,000	
<b>109P0605M701</b>			0.15	0.75	3,100	0.30 10.6	22.6 0.091	25			
<b>109P0612K701</b>	12	10.2 to 13.8	0.26	3.12	6,500	0.62 21.9	99.3 0.399	45	-10 to +60	40,000	
<b>109P0612S701</b>			0.15	1.80	5,000	0.48 17.0	58.8 0.236	36			
<b>109P0612H701</b>			0.09	1.08	4,100	0.40 14.1	38.2 0.153	32			
<b>109P0612M701</b>	24	10.2 to 3.8	0.07	0.84	3,100	0.3 10.6	22.6 0.091	25	-10 to +70	60,000	
<b>109P0624H701</b>			14 to 27.6	0.06	1.44	4,100	0.4 14.1	38.2 0.153			32
<b>109P0624M701</b>			20.4 to 27.6	0.04	0.96	3,100	0.3 10.6	22.6 0.091			25

**Dimensions (Unit : mm)**



**Reference dimension of mounting holes and vent opening (Unit : mm)**

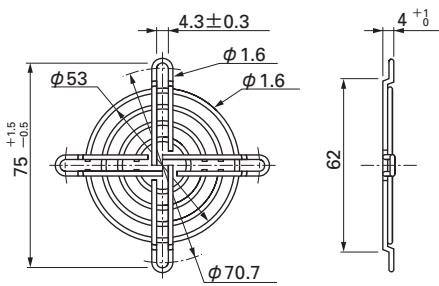


**Options (Unit : mm)**

**Finger guards**

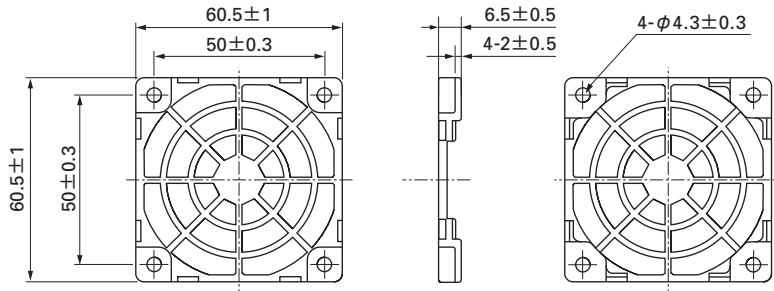
Model : 109-139E Surface treatment : Nickel-chrome plating (silver) Color  
 : 109-139H : Cation electropainting (black)

Inlet side, Outlet side



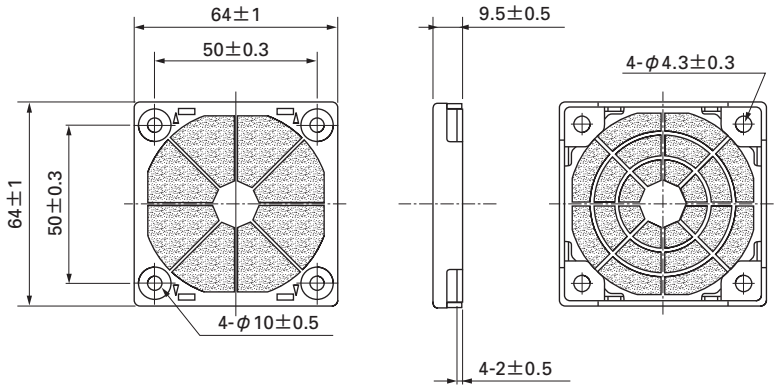
**Resin finger guards**

Model : 109-1003G

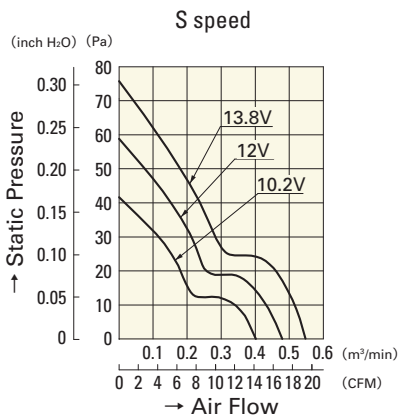


**Resin filter kits**

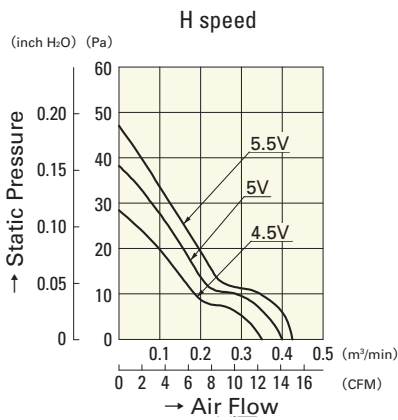
Model : 109-1003F13 (13PPI), 109-1003F20 (20PPI)  
 : 109-1003F30 (30PPI), 109-1003F40 (40PPI)



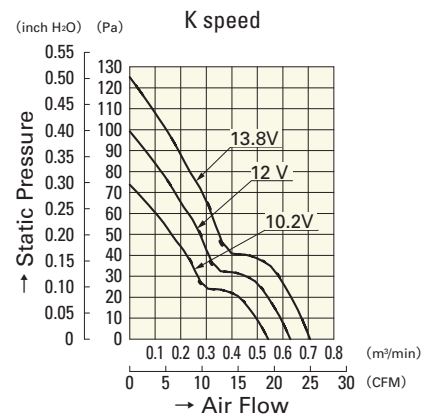
**Air Flow and Static Pressure Characteristics**



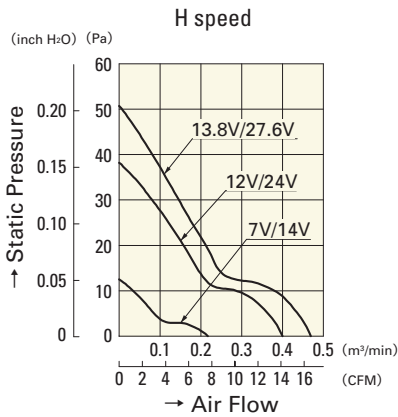
**109P0612S701**



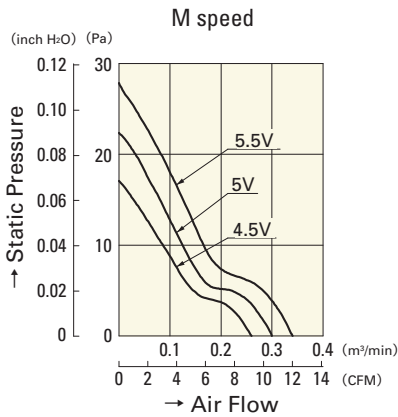
**109P0605H701**



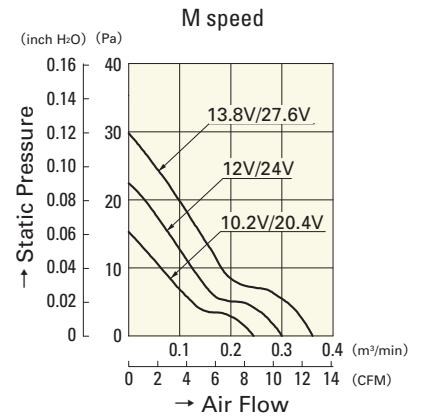
**109P0612K701**



**109P0612H701**  
**109P0624H701**



**109P0605M701**



**109P0612M701**  
**109P0624M701**

60mm