

Counter Rotating Fan

40mm

San Ace 40

48mm thick (CRA type)
(CRE type)
56mm thick (CRA type)



■ General Specifications **With a pulse sensor** Specifications for pulse sensors ⇨ Refer to Page 239

*Please inquire about other specifications.

- Material..... Frame: Plastics (Flammability: UL94V-0), Impeller: Plastics (Flammability: UL94V-0)
- Life Expectancy Varies for each model (L10: Survival rate: 90% at 60°C, rated voltage, and continuously run in a free air state)
- Lead Wire Inlet ⊕ red ⊖ black (Sensor) yellow
Outlet ⊕ orange ⊖ gray (Sensor) purple
- Storage Temperature ... -30°C to +70°C (Non-condensing)

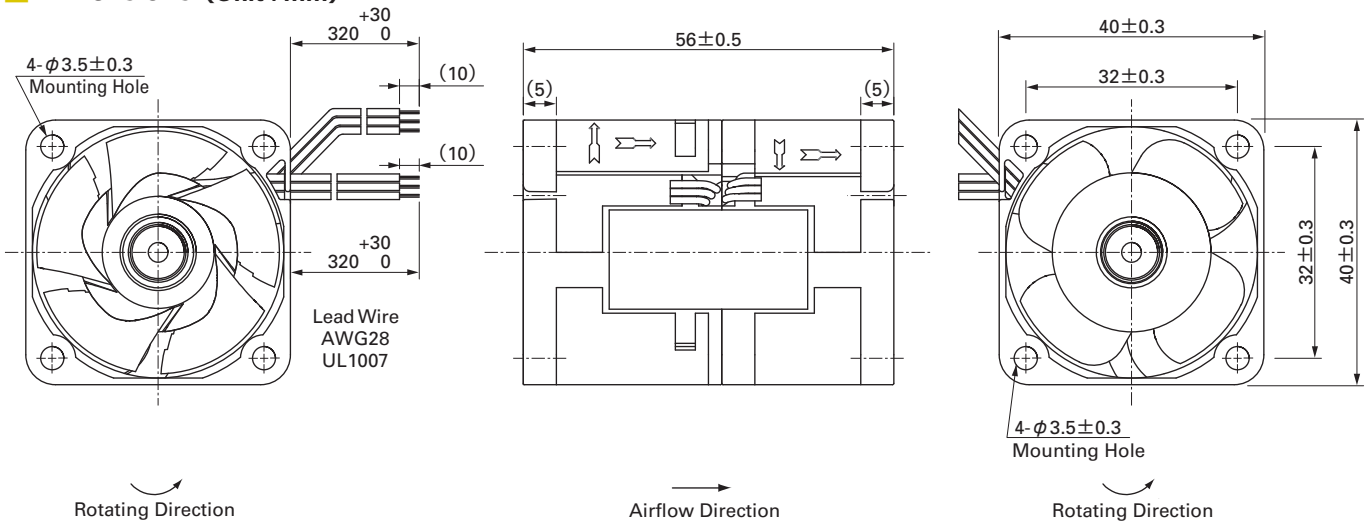
□ 40mm × 56mm thick [Mass : 90g] **CRA type**

■ Specifications

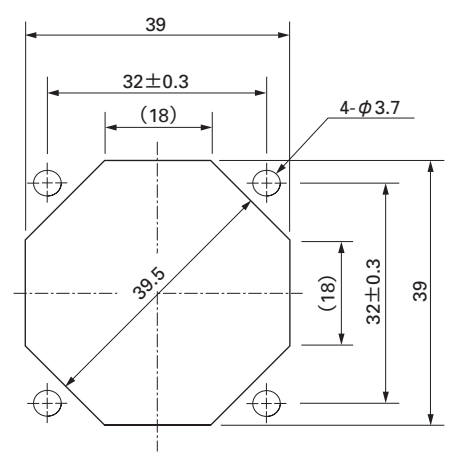
Model No.	Rated Voltage (V)	Operating Voltage Range (V)	Rated Current (A)	Rated Input (W)	Rated Speed (min ⁻¹)		Air Flow (m ³ /min) (CFM)		Static Pressure (Pa) (inchH ₂ O)		SPL (dB[A])	Operating Temperature Range (°C)	Life Expectancy (h)
					Inlet	Outlet							
9CRA0412J501	12	10.8 to 13.2	1.4	16.8	15,800	12,200	0.90	31.8	570	2.29	62	-10 to +70	40,000
9CRA0412G501			1.0	12.0	14,000	10,400	0.77	27.2	435	1.75	59		

※PWM Frequency : 25kHz

■ Dimensions (Unit : mm)



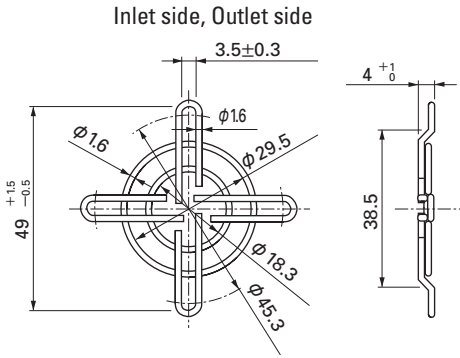
■ Reference dimension of mounting holes and vent opening (Unit : mm)



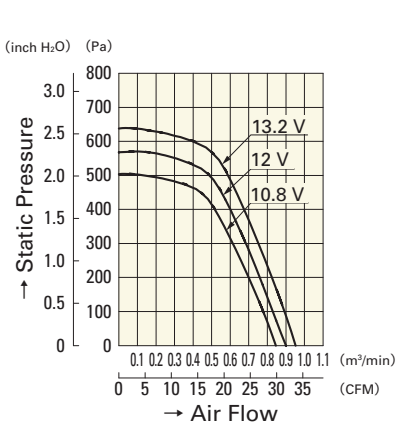
Options (Unit : mm)

Finger guards

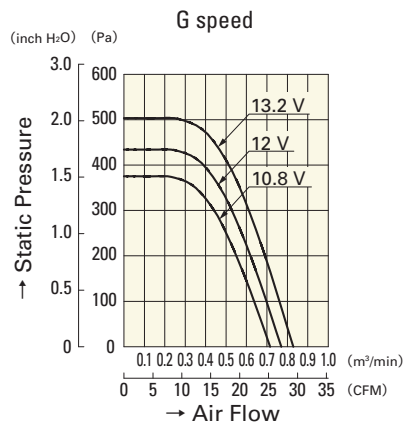
Surface treatment : Nickel-chrome plating (silver)



Air Flow and Static Pressure Characteristics



9CRA0412J501



9CRA0412G501

40mm