

**Long Life Fan**

**40mm**

**San Ace 40L**

28mm thick



**General Specifications** With a pulse sensor Specifications for pulse sensors ⇨ Refer to Page 239

\*Please inquire about other specifications.

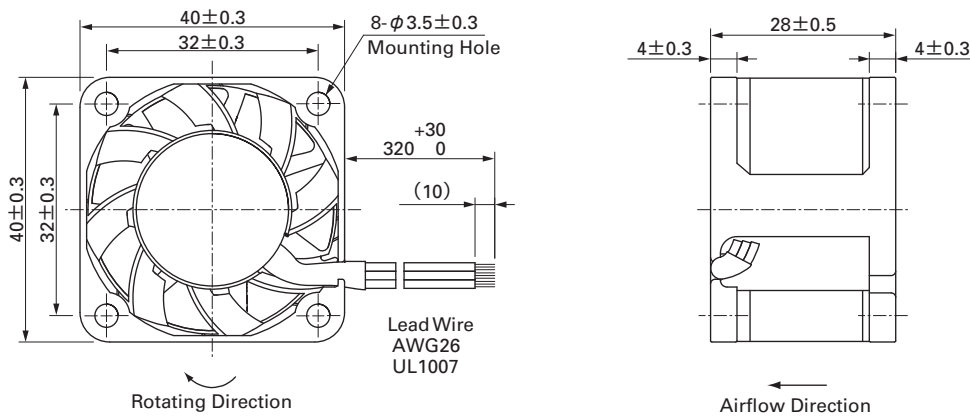
- Material ..... Frame: Aluminum, Impeller: Plastics (Flammability: UL94V-0)
- Life Expectancy ..... Varies for each model (L10: Survival rate: 90% at 60°C, rated voltage, and continuously run in a free air state)
- Lead Wire ..... ⊕red ⊖black (Sensor) yellow
- Storage Temperature ..... -30°C to +70°C (Non-condensing)

**40mm × 28mm thick** (Mass : 55g)

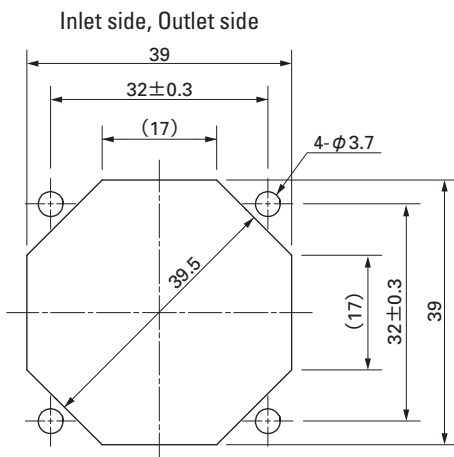
**Specifications**

Model No.	Rated Voltage (V)	Operating Voltage Range (V)	Rated Current (A)	Rated Input (W)	Rated Speed (min <sup>-1</sup> )	Air Flow (m <sup>3</sup> /min) (CFM)	Static Pressure (Pa) (inchH <sub>2</sub> O)	SPL (dB[A])	Operating Temperature Range (°C)	Life Expectancy (h)
9L0412J301	12	10.2 to 13.8	0.31	3.72	11,700	0.52 18.4	206 0.827	48	-10 to +70	100,000
9L0412H301			0.15	1.80	8,400	0.37 13.1	106 0.426	40		
9L0412M301			0.045	0.54	4,000	0.16 5.65	24 0.096	19		

**Dimensions (Unit : mm)**



**Reference dimension of mounting holes and vent opening (Unit : mm)**

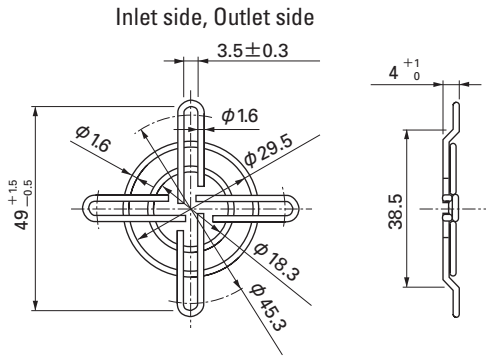


## Options (Unit : mm)

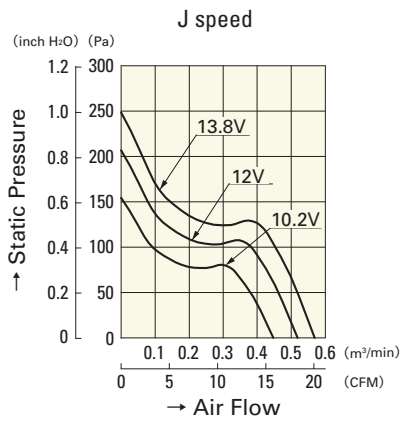
### Finger guards

Model : 109-059

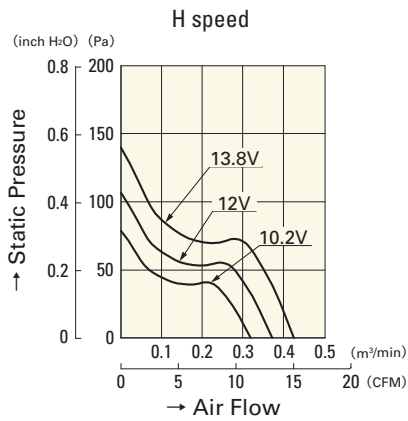
Color  
Surface treatment : Nickel-chrome plating (silver)



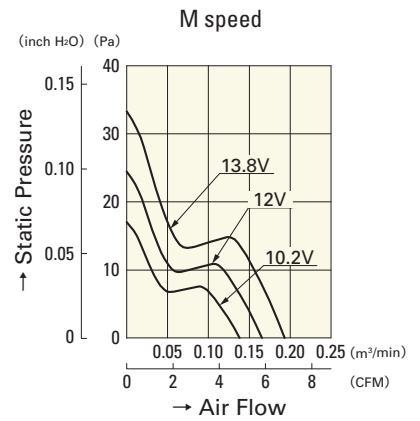
## Air Flow and Static Pressure Characteristics



**9L0412J301**



**9L0412H301**



**9L0412M301**