

AC Fan Motors

High Ace □ 160mm

Alarm fans HIGH ACE



High-air-flowrate, high-static-pressure type, largest type

General specifications

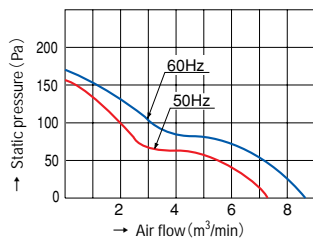
- Motor construction Capacitor motor
- Motor protection system Thermal protection
- Dielectric strength between AC input and DC input (alarm output) : 50/60 Hz, 1000 VAC, 1 minute
- between AC input and G:50/60 Hz, 1500 VAC, 1 minute
- between G and DC input (alarm output) : 50/60 Hz, 1000 VAC, 1 minute
- Operating voltage range ±10% (Motor parts)
- Plug cord For UL/CSA 489-084 (L10, L21)
- 489-086 (L10, L21)
- ※ For the power cord, see page 113.
- (L10 : 1000mm, L21 : 2100mm)

51 mm thick

Specifications (Operating thermally range -10°C to +60°C)

Model	Voltage (V)	Frequency (Hz)	Input (W)	Current (A)	Bound current (A)	Rotating speed (min ⁻¹)	Air flow (m ³ /min) (CFM)	Static pressure (Pa)	Noise (dB[A])	Mass (g)
109-641	100	50/60	37.5/33	0.43/0.35	0.72/0.70	2850/3350	7.2/8.5 254.4/300.4	156.8/166.6	56/60	1100
109-644	115			0.39/0.31	0.62/0.61					
109-642	200			0.23/0.18	0.36/0.35					
109-643	230			0.21/0.16	0.32/0.31					

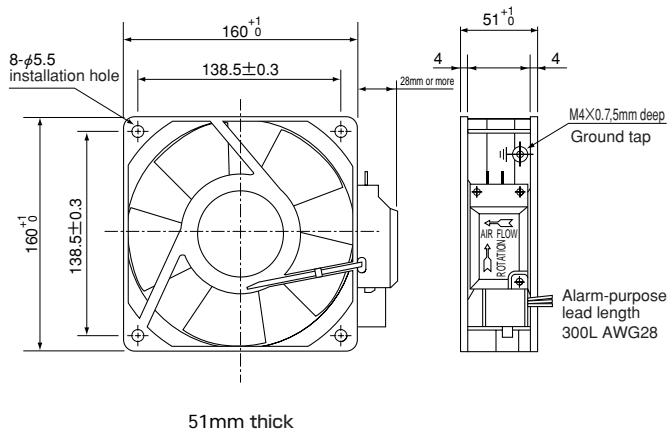
Typical air flow and static pressure characteristics



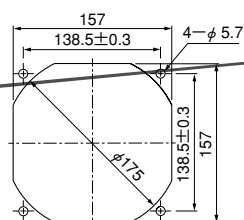
- 109-641
- 109-644
- 109-642
- 109-643

AC Fan Motors

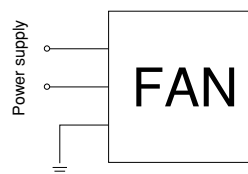
Reference dimensional diagram for installation holes (unit : mm)



Reference dimensional diagram for installation holes (unit : mm)



Wiring diagram



160mm

SANYO DENKI

1-15-1, Kita-otsuka, Toshima-ku, Tokyo 170-8451, Japan. PHONE : +81 3 3917 5151
Home Page: <http://www.sanyodenki.co.jp>

Rev.A

北京永宏诚大机电设备有限责任公司

电话:86-10-66131492
传真:86-10-66162242