

AC Fan Motors

High Ace 160mm High Ace

High-air-flowrate, high-static-pressure type, largest type

General specifications

- Motor construction ······ Capacitor motor
- Motor protection system ····· Thermal protection
- Dielectric strength ······ 50/60 Hz, 1500 VAC, 1 minute
(between input terminal and frame, or between lead conductor and frame)
- Operating voltage range ····· +10%
- Plug cord: ··············· For UL/CSA 489-084 (L10, L21)
489-086 (L10, L21)
※For the power cord, see page 113.



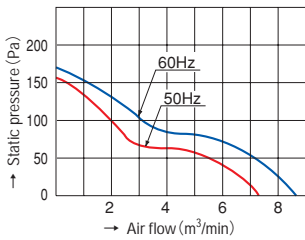
AC Fan Motors

51 mm thick

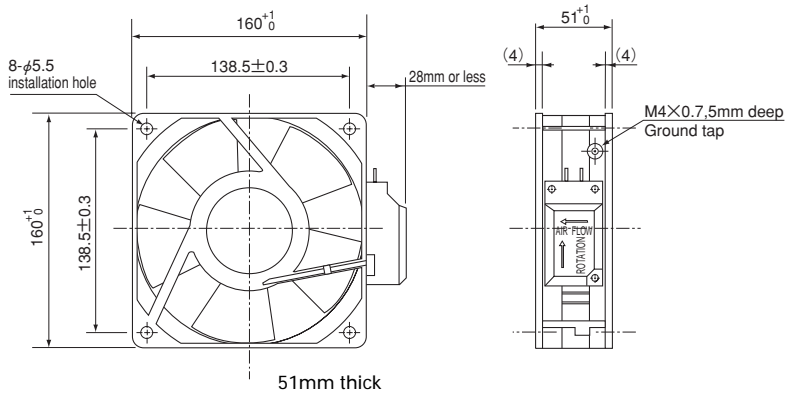
Specifications (Operating thermally range -30°C to +60°C)

Model	Voltage (V)	Frequency (Hz)	Input (W)	Current (A)	Bound current (A)	Rotating speed (min ⁻¹)	Air flow (m ³ /min) (CFM)	Static pressure (Pa)	Noise (dB[A])	Mass (g)
109-601	100			0.43/0.35	0.72/0.70					
109-604	115	50/60	37.5/33	0.39/0.31	0.62/0.61	2850/3350	7.2/8.5 254.4/300.4	156.8/166.6	56/60	1100
109-602	200			0.23/0.18	0.36/0.35					
109-603	230			0.21/0.16	0.32/0.31					

Typical air flow and static pressure characteristics

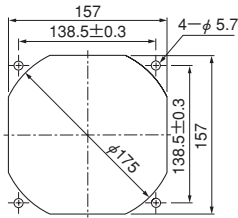


Dimensions (unit : mm)

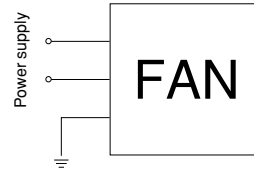


AC Fan Motors

Reference dimensional diagram for installation holes (unit : mm)



Wiring diagram



160mm

SANYO DENKI

1-15-1, Kita-otsuka, Toshima-ku, Tokyo 170-8451, Japan. PHONE : +81 3 3917 5151
Home Page: <http://www.sanyodenki.co.jp>

Rev.B

北京永宏诚大机电设备有限责任公司 电话:86-10-66131492
传真:86-10-66162242