

San Ace

AC

AC Fan

92mm
San Ace 92



Silent and widespread use

General specifications

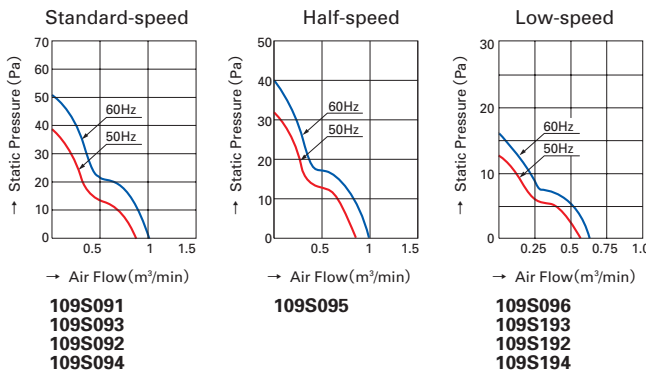
- MaterialFrame:Aluminum, Impeller:Plastics
- Life ExpectancyVaries for each model (Survival rate: 90% at 60°C,
rated voltage,and continuously run in a free air state)
- Motor Construction.....Shaded coil motor
- Motor Protection SystemImpedance protection
- Dielectric Strength50/60 Hz, 1500VAC, 1 minute (between lead conductor and frame)
- Noise Measurement Method ..Measured at 1m from the air inlet
- Operating Temperature RangeVaries for each model (Non-condensing)
- Operating Voltage Range±10%
- Plug cord.....For general 489-016 (L10, L21)
For UL/CSA 489-047 (L10,L21)
- Mass290g

25mm thick Specifications

Model No.	Voltage (V)	Frequency (Hz)	Input (W)	Current (A)	Locked Rotor Current (A)	Rated Speed (min ⁻¹)	Air Flow (m ³ /min) (CFM)	Static Pressure (Pa) (inchH ₂ O)	Noise (dB [A])	Operating Temperature Range (°C)	Life Expectancy (h)
109S091	100	50/60	8/7	0.1/0.09	0.13/0.12	2700/3100	0.95/1.1 33.6/38.9	39.2/49.0 0.157/0.197	35/38	-30 ~ +60	25,000
109S093	115			0.09/0.08	0.11/0.1						
109S092	200		11/10	0.07/0.06	0.08/0.08						
109S094	230		10/9	0.06/0.05	0.07/0.07						
☆ 109S095	100	8/7	0.1/0.09	0.11/0.1	2400/2800	0.84/0.98 29.7/34.6	31.4/40.2 0.126/0.161	32/35			
※ 109S096	100	7/6	0.09/0.08	0.09/0.08	1500/1700	0.55/0.65 19.4/23	12.5/16.3 0.050/0.065	24/27			
※ 109S193	115								0.08/0.07		
※ 109S192	200	8/7	0.06/0.05	0.06/0.05							
※ 109S194	230								0.05/0.04		

☆ represents half-speed. ※ represents low-speed

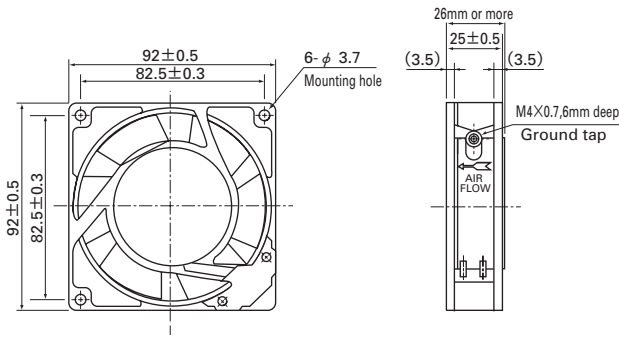
Air Flow and Static Pressure Characteristics



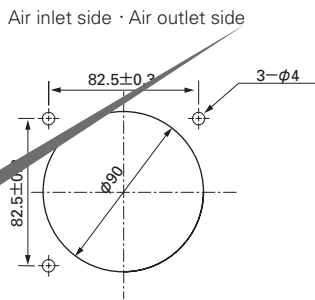
AC Fans

92mm

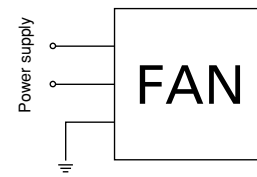
Dimensions (unit : mm)



Reference dimension of mounting holes and vent opening (unit : mm)



Wiring diagram



AC Fans

92mm

Notice

- The products shown in the catalog are subject to Japanese Export Control Law. Diversion contrary to the law of exporting country is prohibited.
- To protect against electrolytic corrosion that may occur in locations with strong electromagnetic noise, we provide fans that are unaffected by electrolytic corrosion. Alternative measures to protect against electrolytic corrosion may include metallic finger guards or other metallic attachments. Please contact us for details.

SANYO DENKI

1-15-1, Kita-otsuka, Toshima-ku, Tokyo 170-8451, Japan. PHONE : +81 3 3917 5151 Home Page: <http://www.sanyodenki.co.jp>

2005.12 Rev.F

北京永宏诚大机电设备有限责任公司 电话:86-10-66131492
传真:86-10-66162242