

**San Ace**

**AC**

**AC Fan**

**80mm**  
San Ace 80

Compact and silent

**General specifications**

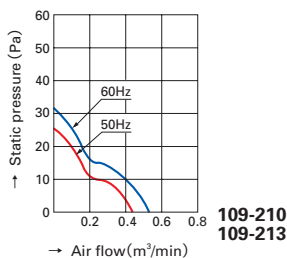
- Material .....Frame:Aluminum, Impeller:Plastics
- Life Expectancy .....Varies for each model (Survival rate: 90% at 60°C,  
rated voltage,and continuously run in a free air state)
- Motor Construction.....Shaded coil motor
- Motor Protection System .....Impedance protection
- Dielectric Strength .....50/60 Hz, 1500VAC, 1 minute (between lead conductor and frame)
- Noise Measurement Method .....Measured at 1m from the air inlet
- Operating Temperature Range .....Varies for each model (Non-condensing)
- Operating Voltage Range .....±10%
- PLug cord .....For general 489-016(L10,L21)  
For UL/CSA 489-147(L10,L21)
- Mass .....180g (20mm thick) 270g (25mm thick) 400g (38mm thick)



**20mm thick Specifications**

Model No.	Voltage (V)	Frequency (Hz)	Input (W)	Current (A)	Locked Rotor Current (A)	Rated Speed (min <sup>-1</sup> )	Air Flow (m <sup>3</sup> /min) (CFM)	Static Pressure (Pa) (inchH <sub>2</sub> O)	Noise (dB [A])	Operating Temperature Range (°C)	Life Expectancy (h)
<b>109-210</b>	100	50/60	6/5	0.07/0.06	0.07/0.06	2500/3000	0.44/0.53 15.5/18.7	23.5/31.4 0.094/0.126	26/31	-30 ~ +60	25,000
<b>109-213</b>	115			0.06/0.05	0.06/0.05						

**Air Flow and Static Pressure Characteristics**

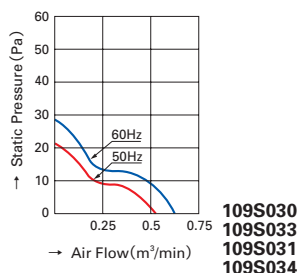
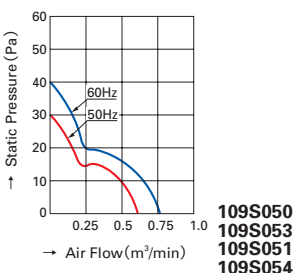


**25mm thick Specifications**

Model No.	Voltage (V)	Frequency (Hz)	Input (W)	Current (A)	Locked Rotor Current (A)	Rated Speed (min <sup>-1</sup> )	Air Flow (m <sup>3</sup> /min) (CFM)	Static Pressure (Pa) (inchH <sub>2</sub> O)	Noise (dB [A])	Operating Temperature Range (°C)	Life Expectancy (h)
<b>109S050</b>	100	50/60	9/7	0.12/0.1	0.13/0.11	2650/3100	0.63/0.76 22.3/26.9	27.5/38.3 0.110/0.154	30/33	-30 ~ +60	25,000
<b>109S053</b>	115			0.1/0.08	0.11/0.09						
<b>109S051</b>	200			0.06/0.05	0.06/0.05						
<b>109S054</b>	230			0.05/0.04	0.05/0.04						
☆ <b>109S030</b>	100			0.12/0.1	0.13/0.11	2350/2700	0.55/0.63 19.4/22.3	21.6/28.4 0.087/0.114	28/30		
☆ <b>109S033</b>	115			0.1/0.08	0.11/0.09						
☆ <b>109S031</b>	200			0.06/0.05	0.06/0.05						
☆ <b>109S034</b>	230			0.05/0.04	0.05/0.04						

Note: ☆represents half-speed.

**Air Flow and Static Pressure Characteristics**



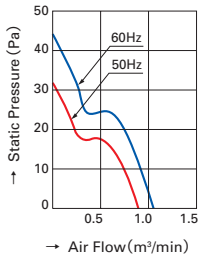
AC Fans

80mm

# 38mm thick Specifications

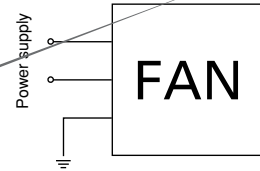
Model No.	Voltage (V)	Frequency (Hz)	Input (W)	Current (A)	Locked Rotor Current (A)	Rated Speed (min <sup>-1</sup> )	Air Flow (m <sup>3</sup> /min) (CFM)	Static Pressure (Pa) (inchH <sub>2</sub> O)	Noise (dB [A])	Operating Temperature Range (°C)	Life Expectancy (h)
109-150	100	50/60	9/8	0.13/0.11	0.17/0.15	2700/3150	0.9/1.05 31.8/37.1	31.4/44.1 0.126/0.177	35/39	-30 ~ +60	25,000
109-153	115			0.11/0.1	0.14/0.12						
109-151	200			0.07/0.06	0.09/0.08						
109-154	230			0.06/0.05	0.08/0.07						

## Air Flow and Static Pressure Characteristics

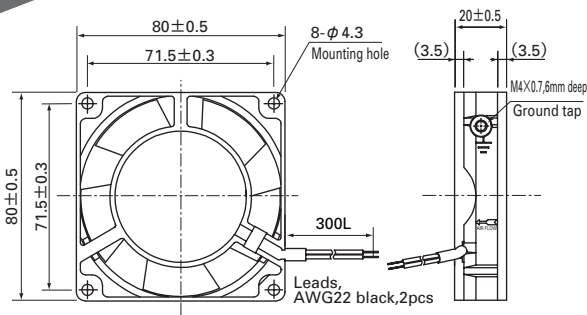


109-150  
109-153  
109-151  
109-154

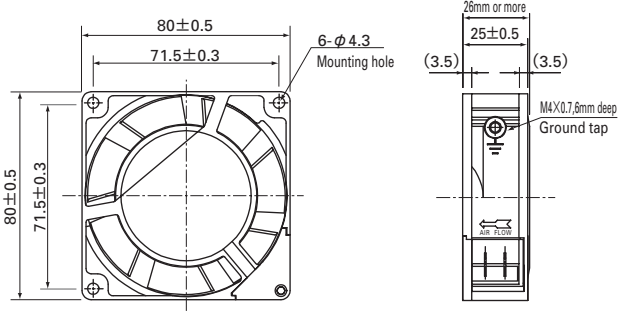
## Wiring diagram



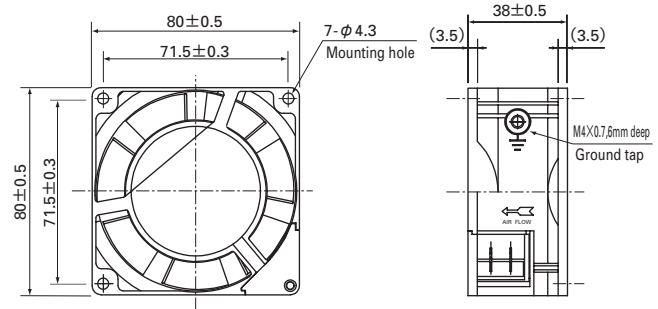
## Dimensions (unit: mm)



20mm thick

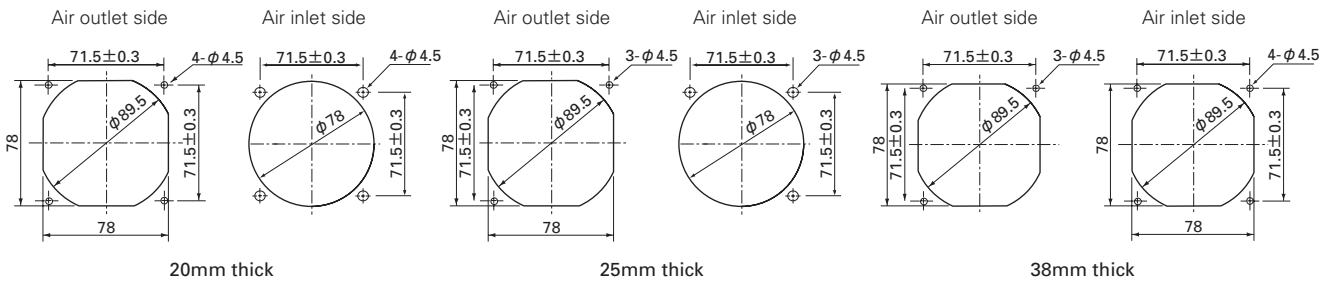


25mm thick



38mm thick

## Reference dimension of mounting holes and vent opening (unit: mm)



## Notice

- The products shown in the catalog are subject to Japanese Export Control Law. Diversion contrary to the law of exporting country is prohibited.
- To protect against electrolytic corrosion that may occur in locations with strong electromagnetic noise, we provide fans that are unaffected by electrolytic corrosion. Alternative measures to protect against electrolytic corrosion may include metallic finger guards or other metallic attachments. Please contact us for details.