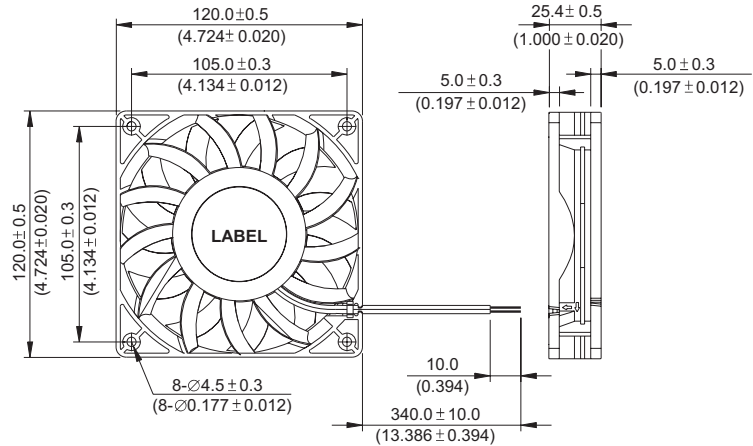


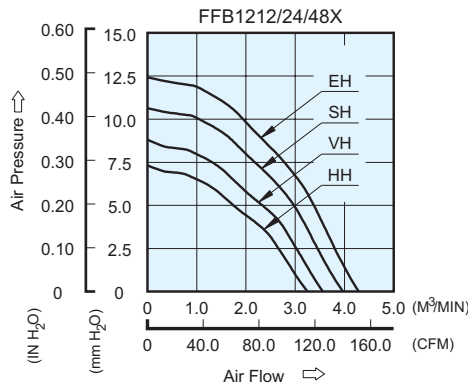


- * Bearing Type
Ball Bearings
- * Material
Impeller & Frame : Plastic(UL 94V-0)
- * Lead Wires :
UL 1007 AWG #24 OR Equivalent
Red Wire Positive(+)
Black Wire Negative(-)
- * Weight : 205g (7.23 OZ)

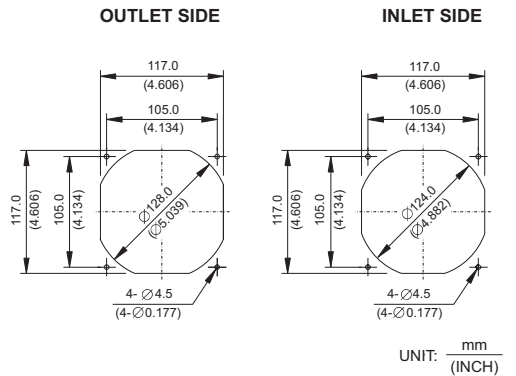
■ DIMENSIONS DRAWING



■ P & Q CURVE (AT RATED VOLTAGE)



■ MOUNTING PANEL CUTOUT



| MODEL | | Rated Voltage | Operating Voltage Range | Rated Current | Rated Input Power | Speed | Maximum Air Flow | | Maximum Air Pressure | | Noise |
|-----------|-------------|---------------|-------------------------|---------------|-------------------|--------|---------------------|--------|----------------------|---------------------|-------|
| PART NO. | FUNCTION | VDC | VDC | Amp | Watt | R.P.M. | M ³ /min | CFM | mm H ₂ O | IN H ₂ O | dB-A |
| FFB1212HH | -R00 / -F00 | 12 | 7.0 to 13.2 | 0.65 | 7.80 | 3100 | 3.249 | 114.73 | 7.32 | 0.288 | 49.7 |
| FFB1224HH | -R00 / -F00 | 24 | 14.0 to 26.4 | 0.28 | 6.72 | | | | | | |
| FFB1248HH | -R00 / -F00 | 48 | 28.0 to 56.0 | 0.14 | 6.72 | | | | | | |
| FFB1212VH | -R00 / -F00 | 12 | 7.0 to 13.2 | 0.79 | 9.48 | 3400 | 3.592 | 126.85 | 8.29 | 0.326 | 51.9 |
| FFB1224VH | -R00 / -F00 | 24 | 14.0 to 26.4 | 0.37 | 8.88 | | | | | | |
| FFB1248VH | -R00 / -F00 | 48 | 28.0 to 56.0 | 0.18 | 8.64 | | | | | | |
| FFB1212SH | -R00 / -F00 | 12 | 7.0 to 13.2 | 1.03 | 12.36 | 3700 | 3.969 | 140.16 | 10.64 | 0.419 | 54.3 |
| FFB1224SH | -R00 / -F00 | 24 | 14.0 to 26.4 | 0.52 | 12.48 | | | | | | |
| FFB1248SH | -R00 / -F00 | 48 | 28.0 to 53.0 | 0.25 | 12.00 | | | | | | |
| FFB1212EH | -R00 / -F00 | 12 | 7.0 to 13.2 | 1.45 | 17.40 | 4000 | 4.257 | 150.33 | 12.43 | 0.489 | 56.4 |
| FFB1224EH | -R00 / -F00 | 24 | 14.0 to 26.4 | 0.63 | 15.12 | | | | | | |
| FFB1248EH | -R00 / -F00 | 48 | 28.0 to 53.0 | 0.32 | 15.36 | | | | | | |

北京永宏诚大机电设备有限公司 电话:86-10-66131492
 传真:86-10-66162242