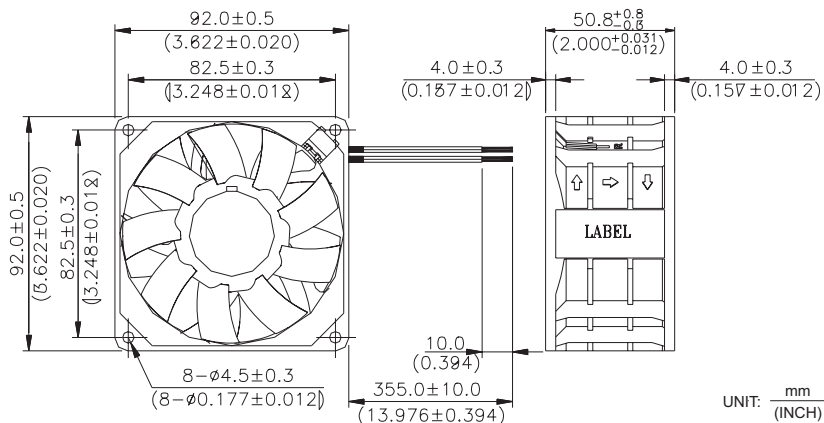




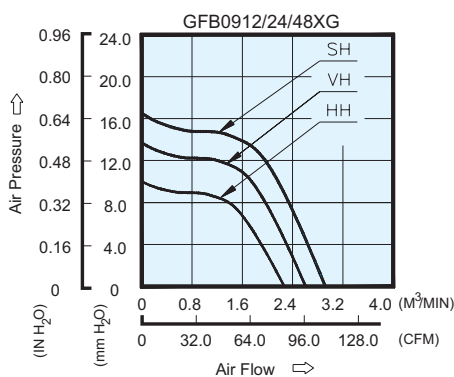
- * Bearing Type
Ball Bearings
- * Material
Impeller & Frame : Plastic (UL 94V-0)
- * Lead Wires :
UL 1061 AWG #24 OR Equivalent
Red Wire Positive (+)
Black Wire Negative (-)
- * Weight : 265g (9.35 oz)

■ DIMENSIONS DRAWING

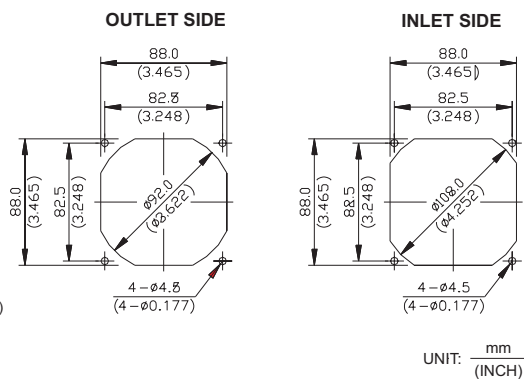


UNIT: mm (INCH)

■ P & Q CURVE (AT RATED VOLTAGE)



■ MOUNTING PANEL CUTOUT



UNIT: mm (INCH)

MODEL		Rated Voltage	Operating Voltage Range	Rated Current	Rated Input Power	Speed	Maximum Air Flow		Maximum Air Pressure		Noise
PART NO.	FUNCTION	VDC	VDC	Amp	Watt	R.P.M.	m ³ /min	CFM	mmH ₂ O	IN H ₂ O	dB-A
GFB0912HHG	-R00 / -F00	12	7.0 to 13.8	0.70	8.40	3200	2.260	79.81	9.63	0.379	55.5
GFB0924HHG	-R00 / -F00	24	14.0 to 27.6	0.47	11.28						
GFB0948HHG	-R00 / -F00	48	28.0 to 56.0	0.21	10.08						
GFB0912VHG	-R00 / -F00	12	7.0 to 13.8	1.02	12.24	3700	2.600	91.82	12.83	0.505	59.0
GFB0924VHG	-R00 / -F00	24	14.0 to 27.6	0.60	14.40						
GFB0948VHG	-R00 / -F00	48	28.0 to 56.0	0.32	15.36						
GFB0912SHG	-R00 / -F00	12	7.0 to 13.8	1.30	15.60	4100	2.919	103.08	16.51	0.650	61.5

* Function type is optional.
 * The max. air flow and the speed are measured in free air ; max. air pressure is measured at zero air flow.
 * Noise is measured in anechoic chamber in free air, one meter from intake side.
 * All readings are typical values at rated voltage.
 * Specifications are subject to change without notice.

北京永宏诚大机电设备有限责任公司 电话:86-10-66131492
 传真:86-10-66162242