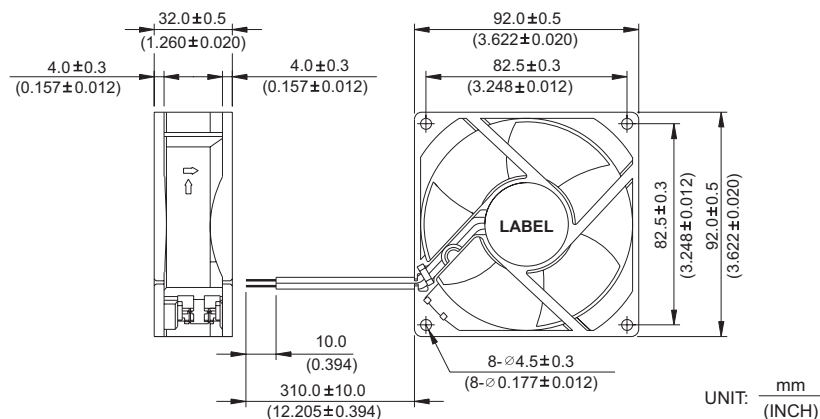


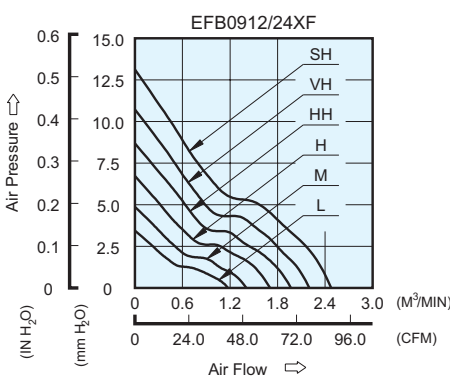


DIMENSIONS DRAWING

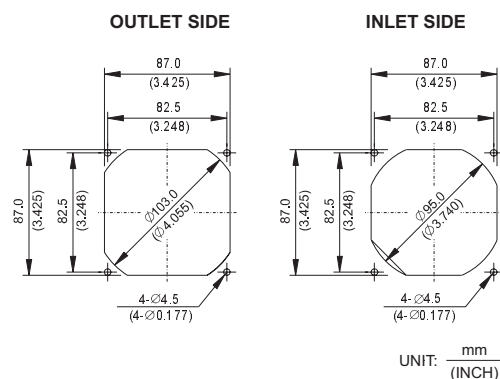


- * Bearing Type
Ball Bearings
- * Material
Impeller & Frame : Plastic (UL 94V-0)
- * Lead Wires :
UL 1007 AWG #24 OR Equivalent
Red Wire Positive (+)
Black Wire Negative (-)
- * Weight : 140g (4.94 oz)

P & Q CURVE (AT RATED VOLTAGE)



MOUNTING PANEL CUTOUT



MODEL		Rated Voltage	Operating Voltage Range	Rated Current	Rated Input Power	Speed	Maximum Air Flow		Maximum Air Pressure		Noise
PART NO.	FUNCTION	VDC	VDC	Amp	Watt	R.P.M.	m ³ /min	CFM	mmH ₂ O	IN H ₂ O	dB-A
EFB0912LF	-R00 / -F00	12	7.0 to 13.8	0.10	1.20	2300	1.176	41.52	3.43	0.135	28.0
EFB0924LF	-R00 / -F00	24	14.0 to 27.6	0.05	1.20						
EFB0912MF	-R00 / -F00	12	7.0 to 13.8	0.15	1.80	2800	1.407	49.68	4.87	0.191	32.0
EFB0924MF	-R00 / -F00	24	14.0 to 27.6	0.07	1.68						
EFB0912HF	-R00 / -F00	12	7.0 to 13.8	0.21	2.52	3300	1.705	60.20	6.73	0.265	36.0
EFB0924HF	-R00 / -F00	24	14.0 to 27.6	0.09	2.16						
EFB0912HHF	-R00 / -F00	12	7.0 to 13.8	0.29	3.48	3800	1.970	69.56	8.68	0.342	39.5
EFB0924HHF	-R00 / -F00	24	14.0 to 27.6	0.13	3.12						
EFB0912VHF	-R00 / -F00	12	7.0 to 13.8	0.38	4.56	4300	2.200	77.68	10.72	0.422	43.0
EFB0924VHF	-R00 / -F00	24	14.0 to 27.6	0.18	4.32						
EFB0912SHF	-R00 / -F00	12	7.0 to 13.8	0.50	6.00	4800	2.478	87.50	13.13	0.517	47.0
EFB0924SHF	-R00 / -F00	24	14.0 to 27.6	0.25	6.00						

北京永宏诚大机电设备有限责任公司 电话:86-10-66131492
 传真:86-10-66162242