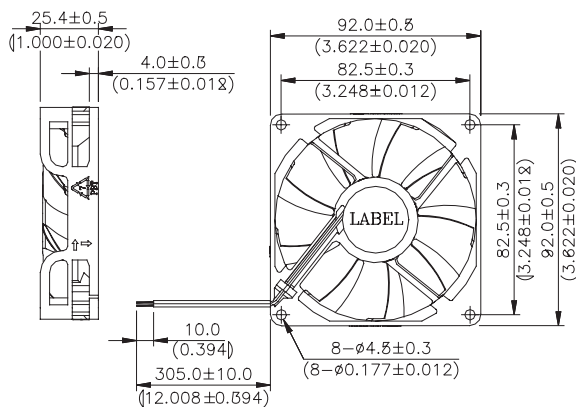


New



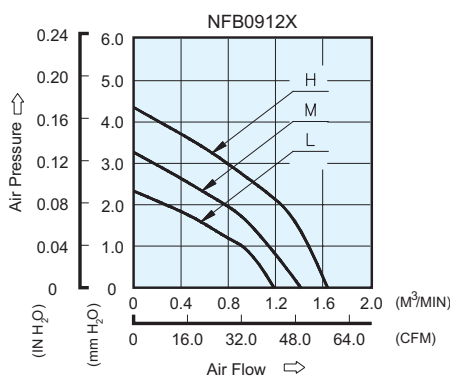
■ DIMENSIONS DRAWING



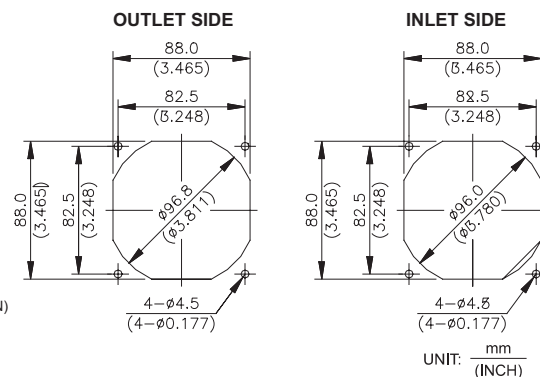
UNIT: $\frac{\text{mm}}{\text{(INCH)}}$

- * Bearing Type
Ball Bearings
- * Material
Impeller & Frame : Plastic (UL 94V-0)
- * Lead Wires :
UL 1007 AWG #24 OR Equivalent
Red Wire Positive (+)
Black Wire Negative (-)
- * Weight : 110g (3.88 oz)

■ P & Q CURVE (AT RATED VOLTAGE)



■ MOUNTING PANEL CUTOUT



UNIT: $\frac{\text{mm}}{\text{(INCH)}}$

MODEL		Rated Voltage	Operating Voltage Range	Rated Current	Rated Input Power	Speed	Maximum Air Flow		Maximum Air Pressure		Noise
PART NO.	FUNCTION	VDC	VDC	Amp	Watt	R.P.M.	m ³ /min	CFM	mmH ₂ O	IN H ₂ O	dB-A
NFB0912L	-R00 / -F00	12	4.0 to 13.8	0.14	1.68	2100	1.190	42.02	2.33	0.092	29.1
NFB0912M	-R00 / -F00	12	4.0 to 13.8	0.19	2.28	2450	1.413	49.90	3.26	0.128	36.0
NFB0912H	-R00 / -F00	12	4.0 to 13.8	0.34	4.08	2850	1.640	57.92	4.35	0.171	38.6

- * Function type is optional.
- * The max. air flow and the speed are measured in free air ; max. air pressure is measured at zero air flow.
- * Noise is measured in anechoic chamber in free air, one meter from intake side.
- * All readings are typical values at rated voltage.
- * Specifications are subject to change without notice.

北京永宏诚大机电设备有限公司 电话:86-10-66131492
 传真:86-10-66162242