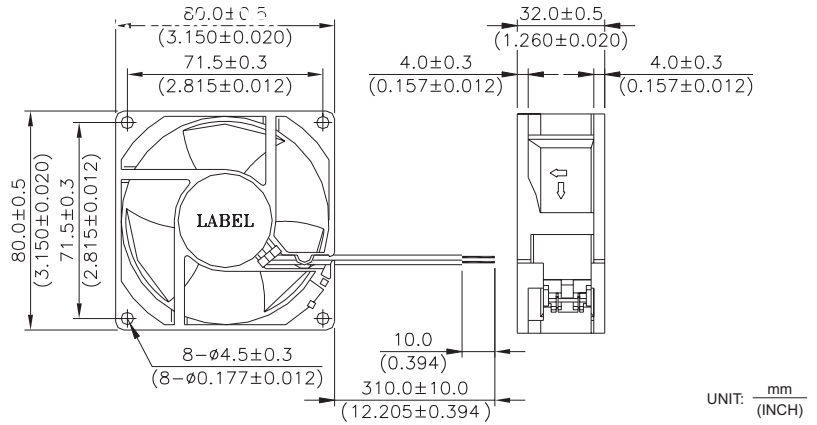
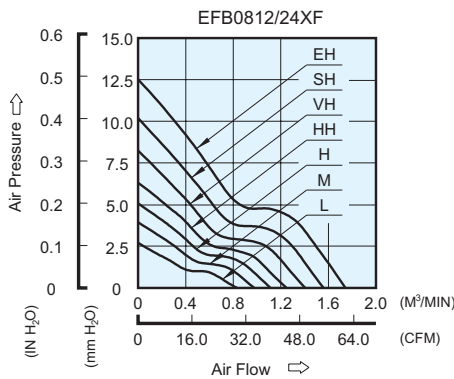


■ DIMENSIONS DRAWING

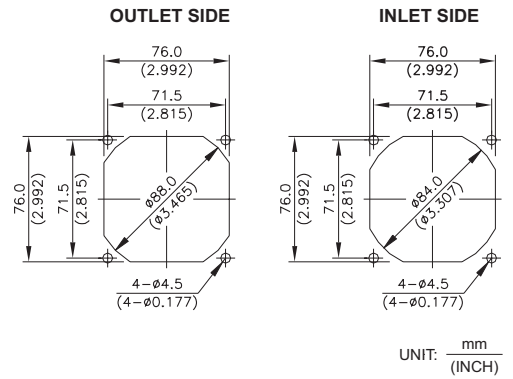


- * Bearing Type
Ball Bearings
- * Material
Impeller & Frame : Plastic (UL 94V-0)
- * Lead Wires :
UL 1007 AWG #24 OR Equivalent
Red Wire Positive (+)
Black Wire Negative (-)
- * Weight : 122g (4.30 oz)

■ P & Q CURVE (AT RATED VOLTAGE)



■ MOUNTING PANEL CUTOUT



MODEL		Rated Voltage	Operating Voltage Range	Rated Current	Rated Input Power	Speed	Maximum Air Flow		Maximum Air Pressure		Noise
PART NO.	FUNCTION	VDC	VDC	Amp	Watt	R.P.M.	m ³ /min	CFM	mmH ₂ O	IN H ₂ O	dB-A
EFB0812LF	-R00 / -F00	12	7.0 to 13.8	0.10	1.20	2500	0.817	28.85	2.84	0.112	26.0
EFB0824LF	-R00 / -F00	24	14.0 to 27.6	0.05	1.20						
EFB0812MF	-R00 / -F00	12	7.0 to 13.8	0.14	1.68	3000	0.975	34.43	3.93	0.155	31.0
EFB0824MF	-R00 / -F00	24	14.0 to 27.6	0.07	1.68						
EFB0812HF	-R00 / -F00	12	7.0 to 13.8	0.17	2.04	3400	1.112	39.26	5.07	0.200	35.0
EFB0824HF	-R00 / -F00	24	14.0 to 27.6	0.08	1.92						
EFB0812HHF	-R00 / -F00	12	7.0 to 13.8	0.21	2.52	3800	1.246	44.00	6.30	0.248	39.0
EFB0824HHF	-R00 / -F00	24	14.0 to 27.6	0.10	2.40						
EFB0812VHF	-R00 / -F00	12	7.0 to 13.8	0.26	3.12	4200	1.394	49.22	8.22	0.324	42.0
EFB0824VHF	-R00 / -F00	24	14.0 to 27.6	0.13	3.12						
EFB0812SHF	-R00 / -F00	12	7.0 to 13.8	0.34	4.08	4700	1.556	54.94	10.18	0.401	45.5
EFB0824SHF	-R00 / -F00	24	14.0 to 27.6	0.17	4.08						
EFB0812EHF	-R00 / -F00	12	7.0 to 13.2	0.45	5.40	5200	1.738	61.36	12.48	0.491	48.5
EFB0824EHF	-R00 / -F00	24	14.0 to 27.6	0.23	5.52						

北京永宏诚大机电设备有限责任公司 电话:86-10-66131492 传真:86-10-66162242