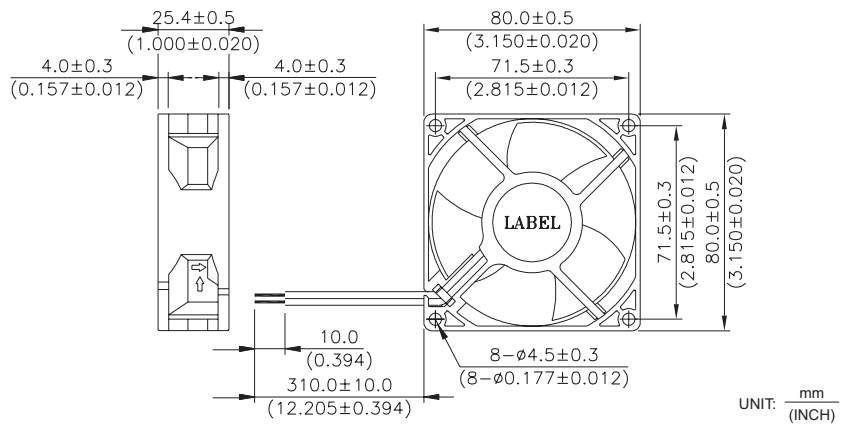
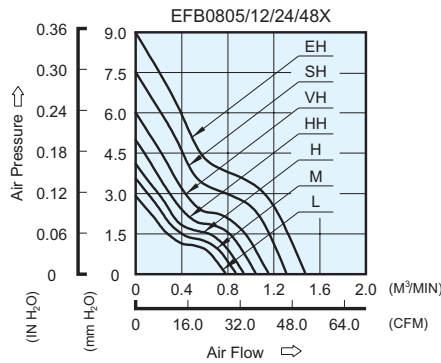




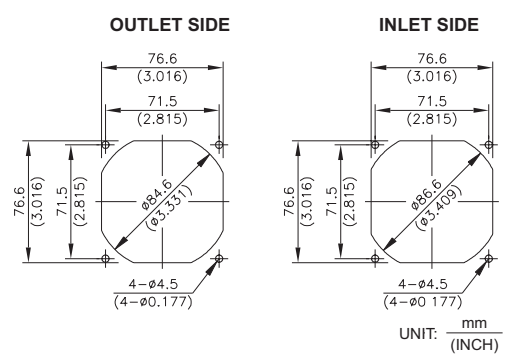
### ■ DIMENSIONS DRAWING



### ■ P & Q CURVE (AT RATED VOLTAGE)



### ■ MOUNTING PANEL CUTOUT



- \* Bearing Type  
Ball Bearings
- \* Material  
Impeller & Frame : Plastic (UL 94V-0)
- \* Lead Wires :  
UL 1007 AWG #24 OR Equivalent  
Red Wire Positive (+)  
Black Wire Negative (-)
- \* Weight : 86g (3.03 oz)

MODEL		Rated Voltage	Operating Voltage Range	Rated Current	Rated Input Power	Speed	Maximum Air Flow		Maximum Air Pressure		Noise
PART NO.	FUNCTION	VDC	VDC	Amp	Watt	R.P.M.	m <sup>3</sup> /min	CFM	mmH <sub>2</sub> O	IN H <sub>2</sub> O	dB-A
EFB0805L	-R00 / -F00	5	4.5 to 5.5	0.16	0.80	2700	0.783	27.65	2.89	0.114	27.5
EFB0812L	-R00 / -F00	12	7.0 to 13.8	0.07	0.84						
EFB0824L	-R00 / -F00	24	14.0 to 27.6	0.04	0.96						
EFB0848L	-R00 / -F00	48	28.0 to 56.0	0.03	1.44						
EFB0805M	-R00 / -F00	5	4.5 to 5.5	0.20	1.00	3000	0.872	30.79	3.54	0.139	29.5
EFB0812M	-R00 / -F00	12	7.0 to 13.8	0.09	1.08						
EFB0824M	-R00 / -F00	24	14.0 to 27.6	0.05	1.20						
EFB0848M	-R00 / -F00	48	28.0 to 56.0	0.03	1.44						
EFB0805H	-R00 / -F00	5	4.5 to 5.5	0.24	1.20	3250	0.940	33.20	4.08	0.161	31.5
EFB0812H	-R00 / -F00	12	7.0 to 13.8	0.10	1.20						
EFB0824H	-R00 / -F00	24	14.0 to 27.6	0.05	1.20						
EFB0848H	-R00 / -F00	48	28.0 to 56.0	0.04	1.92						
EFB0805HH	-R00 / -F00	5	4.5 to 5.5	0.30	1.50	3600	1.043	36.83	4.97	0.196	34.0
EFB0812HH	-R00 / -F00	12	7.0 to 13.8	0.13	1.56						
EFB0824HH	-R00 / -F00	24	14.0 to 27.6	0.07	1.68						
EFB0848HH	-R00 / -F00	48	28.0 to 56.0	0.04	1.92						
EFB0812VH	-R00 / -F00	12	7.0 to 13.8	0.15	1.80	4000	1.154	40.75	5.99	0.236	37.5
EFB0824VH	-R00 / -F00	24	14.0 to 27.0	0.08	1.92						
EFB0848VH	-R00 / -F00	48	28.0 to 56.0	0.05	2.40						
EFB0812SH	-R00 / -F00	12	7.0 to 13.8	0.22	2.64						
EFB0824SH	-R00 / -F00	24	14.0 to 27.0	0.11	2.64	4500	1.310	46.26	7.49	0.295	40.0
EFB0848SH	-R00 / -F00	48	28.0 to 56.0	0.06	2.88						
EFB0812EH	-R00 / -F00	12	7.0 to 13.8	0.28	3.36						
EFB0824EH	-R00 / -F00	24	14.0 to 27.0	0.14	3.36						
EFB0848EH	-R00 / -F00	48	28.0 to 56.0	0.07	3.36	5000	1.473	52.02	8.94	0.352	42.5

**北京永宏诚大机电设备有限责任公司**      电话:86-10-66131492  
 传真:86-10-66162242