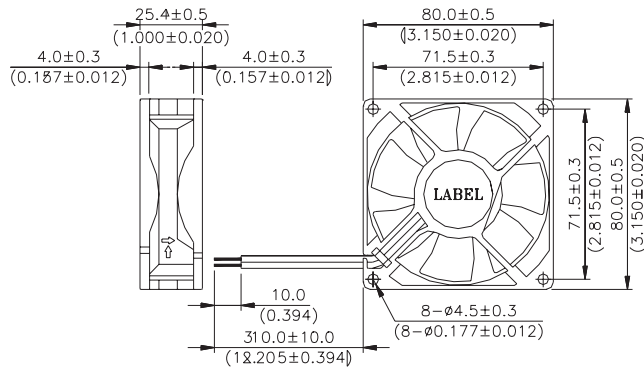




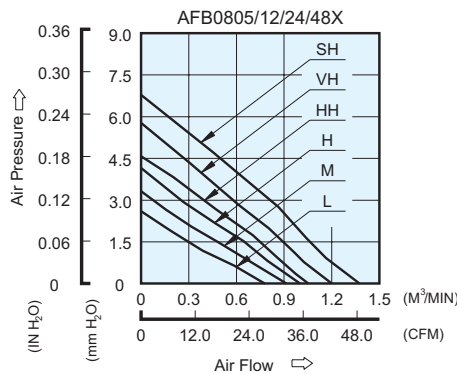
■ DIMENSIONS DRAWING



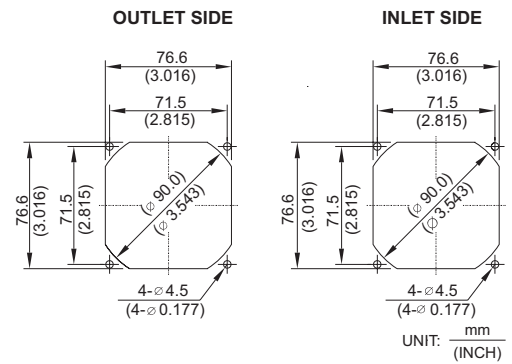
UNIT: $\frac{\text{mm}}{\text{(INCH)}}$

- * Bearing Type
Ball Bearings
- * Material
Impeller & Frame : Plastic (UL 94V-0)
- * Lead Wires :
UL 1007 AWG #24 OR Equivalent
Red Wire Positive (+)
Black Wire Negative (-)
- * Weight : 80g (2.82 oz)

■ P & Q CURVE (AT RATED VOLTAGE)



■ MOUNTING PANEL CUTOUT



UNIT: $\frac{\text{mm}}{\text{(INCH)}}$

| MODEL | | Rated Voltage | Operating Voltage Range | Rated Current | Rated Input Power | Speed | Maximum Air Flow | | Maximum Air Pressure | | Noise |
|-----------|-------------|---------------|-------------------------|---------------|-------------------|--------|---------------------|-------|----------------------|---------------------|-------|
| PART NO. | FUNCTION | VDC | VDC | Amp | Watt | R.P.M. | m ³ /min | CFM | mmH ₂ O | IN H ₂ O | dB-A |
| AFB0805L | / -F00 | 5 | 4.5 to 5.5 | 0.24 | 1.20 | 2400 | 0.790 | 27.90 | 2.59 | 0.102 | 25.0 |
| AFB0812L | -R00 / -F00 | 12 | 7.0 to 13.8 | 0.09 | 1.08 | | | | | | |
| AFB0824L | -R00 / -F00 | 24 | 14.0 to 27.6 | 0.05 | 1.20 | | | | | | |
| AFB0848L | -R00 / -F00 | 48 | 28.0 to 56.0 | 0.05 | 2.40 | 2700 | 0.890 | 31.43 | 3.28 | 0.129 | 28.0 |
| AFB0805M | / -F00 | 5 | 4.5 to 5.5 | 0.33 | 1.65 | | | | | | |
| AFB0812M | -R00 / -F00 | 12 | 7.0 to 13.8 | 0.12 | 1.44 | | | | | | |
| AFB0824M | -R00 / -F00 | 24 | 14.0 to 27.6 | 0.06 | 1.44 | 3000 | 1.000 | 35.31 | 4.04 | 0.159 | 31.0 |
| AFB0848M | -R00 / -F00 | 48 | 28.0 to 56.0 | 0.06 | 2.88 | | | | | | |
| AFB0805H | / -F00 | 5 | 4.5 to 5.5 | 0.43 | 2.15 | | | | | | |
| AFB0812H | -R00 / -F00 | 12 | 7.0 to 13.8 | 0.16 | 1.92 | 3250 | 1.060 | 37.43 | 4.59 | 0.181 | 34.0 |
| AFB0824H | -R00 / -F00 | 24 | 14.0 to 27.6 | 0.07 | 1.68 | | | | | | |
| AFB0848H | -R00 / -F00 | 48 | 28.0 to 56.0 | 0.07 | 3.36 | | | | | | |
| AFB0812HH | -R00 / -F00 | 12 | 7.0 to 13.8 | 0.20 | 2.40 | 3600 | 1.190 | 42.02 | 5.51 | 0.217 | 38.0 |
| AFB0824HH | -R00 / -F00 | 24 | 14.0 to 27.6 | 0.09 | 2.16 | | | | | | |
| AFB0848HH | -R00 / -F00 | 48 | 28.0 to 56.0 | 0.08 | 3.84 | | | | | | |
| AFB0812VH | -R00 / -F00 | 12 | 7.0 to 13.8 | 0.26 | 3.12 | 4000 | 1.320 | 46.62 | 6.78 | 0.267 | 40.0 |
| AFB0824VH | -R00 / -F00 | 24 | 14.0 to 27.6 | 0.14 | 3.36 | | | | | | |
| AFB0812SH | -R00 / -F00 | 12 | 7.0 to 13.8 | 0.34 | 4.08 | | | | | | |
| AFB0824SH | -R00 / -F00 | 24 | 14.0 to 26.0 | 0.16 | 3.84 | | | | | | |

北京永宏诚大机电设备有限公司 电话:86-10-66131492
 传真:86-10-66162242