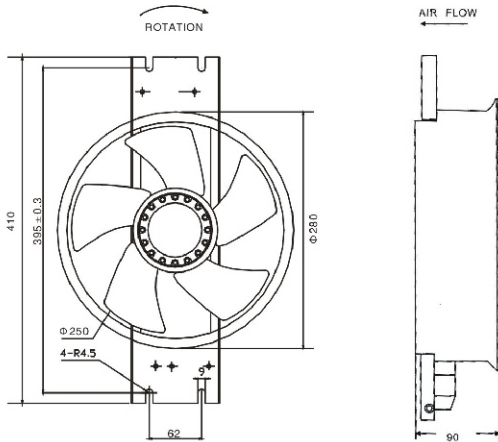


产品说明 General Data

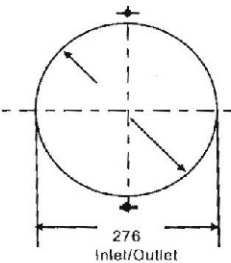
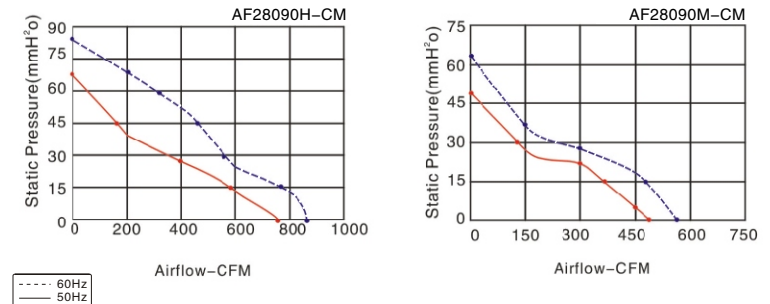
耐压Dielectric withstand voltage: AC 1500V (50/60Hz) one minute
 安全保护Protection: Impedance protection or thermal protection
 工作温度Operating Temperature: Ball bearing: $-10^{\circ}\text{C} \sim +105^{\circ}\text{C}$
 使用寿命Life Expectancy: Ball bearing: over 40000 hr. (At 40°C)
 安规认证Safety: TUV>CE>CCC
 重量Weight: 2900g



风量Airflow: 840 ~ 1480m³/hr 494~870CFM
 相同产品The some of product: **250FZY-D**

尺寸图 Outline

材料 Material

外框 Frame: All metal
 风叶 Impeller: Iron leaf
 马达 Motor: Capacitor-run external rotor induction motor
 连接方式 Connection: The most stable wire

开孔尺寸 Panel Cut-outs

曲线图 Characteristic Curves

技术参数 Specifications

Model (型号)	Bearing system (轴承型式)	Voltage VAC (电压)	Freq. Hz (频率)	Current A (电流)	Power W (功率)	Speed RPM (转速)	Noise dBA (噪音)	Air Flow(风量)		Phase (相数)	Capacitor (电容)
								M3/hr	CFM		
AF28090MA ₂ B-CM	Ball	200-240	50/60	0.2	40	1300/1500	58/63	840/960	494/565	1	4.0uf/450v
AF28090MA ₃ B-CM		380-420	50/60	0.12	40	1300/1500	58/63	840/960	494/565	1	2.0uf/630v
AF28090MA ₆ B-CM		380-420	50/60	0.1	40	1300/1500	58/63	840/960	494/565	3	/
AF28090HA ₂ B-CM		200-240	50/60	0.5	100	2300/2700	68/73	1320/1480	776/870	1	4.0uf/450v
AF28090HA ₃ B-CM		380-420	50/60	0.35	100	2300/2700	68/73	1320/1480	776/870	3	2.0uf/630v
AF28090HA ₆ B-CM		380-420	50/60	0.2	100	2300/2700	68/73	1320/1480	776/870	1	/