

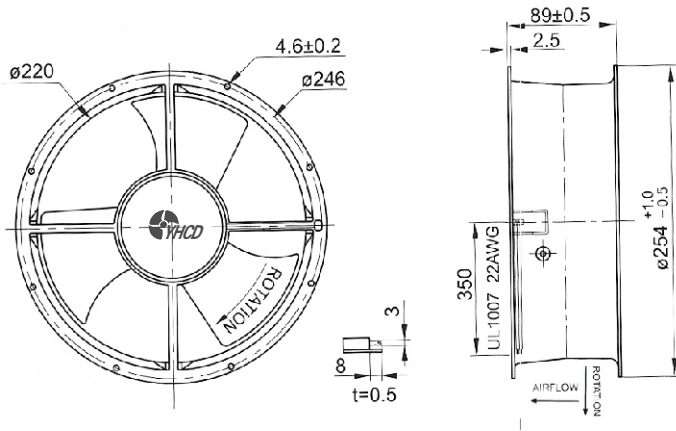
**产品说明 General Data**

耐压Dielectric withstand voltage: AC 1500V (50/60Hz) one minute  
 安全保护Protection: Impedance protection or thermal protection  
 工作温度Operating Temperature: Ball bearing: -20°C~+75°C  
 使用寿命Life Expectancy: Ball bearing: over 50000 hr. (At40°C)  
 安规认证Safety: UL>CUL>TUV>CE>CCC  
 重量Weight: 1800g



风量Airflow: 780 ~ 930m<sup>3</sup>/hr 460~550CFM

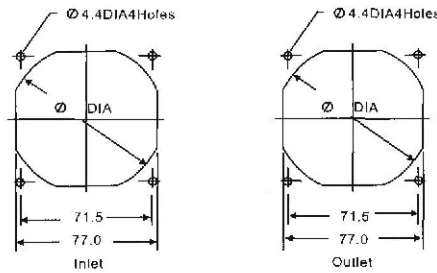
**尺寸图 Outline**



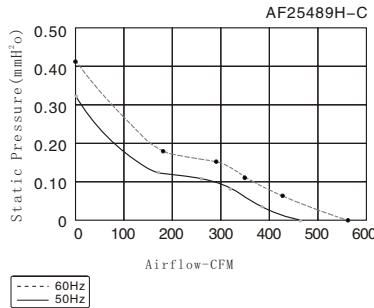
**材料 Material**

外框 Frame: Aluminum alloy  
 风叶 Impeller: Plastic 94V-0 PBT covering glass fiber  
 马达 Motor: Capacitor-run external rotor induction motor  
 连接方式Connection: Lead wire or terminal type

**开孔尺寸 Panel Cut-outs**



**曲线图 Characteristic Curves**



**技术参数 Specifications**

Model (型号)	Bearing system (轴承型式)	Voltage VAC (电压)	Freq. Hz (频率)	Current A (电流)	Power W (功率)	Speed RPM (转速)	Noise dBA (噪音)	Air Flow(风量)		Phase (相数)	Capacitor (电容)
								M3/hr	CFM		
AF25489HA,B-C	Ball	100-120	50/60	0.36/0.45	38/45	1380/1640	27/30	780/930	460/550	1	/
AF25489HA,B-C		200-240	50/60	0.18/0.22	38/45	1350/1610	27/30	780/930	460/550	1	/