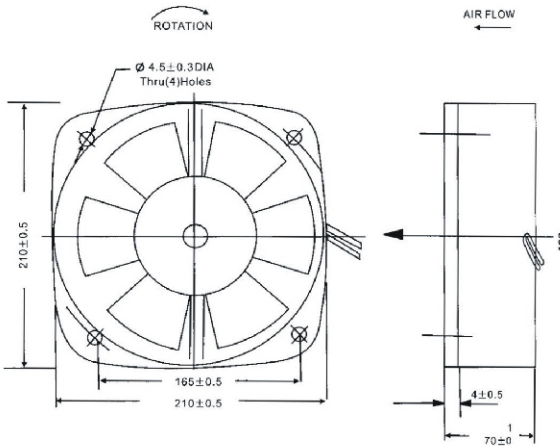


产品说明 General Data

耐压Dielectric withstand voltage: AC 1500V (50/60Hz) one minute
 安全保护Protection: Impedance protection or thermal protection
 工作温度Operating Temperature: Ball bearing: -10°C~+70°C
 使用寿命Life Expectancy: Ball bearing: over 40000 hr. (At 40°C)
 安规认证Safety: UL>CUL>TUV>CE>CCC
 重量Weight: 2000g



尺寸图 Outline

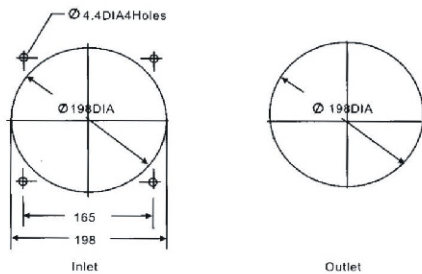


风量Airflow: 780 ~ 900m³/hr 459-529CFM
 相同产品The some of product: **200FZY-D**

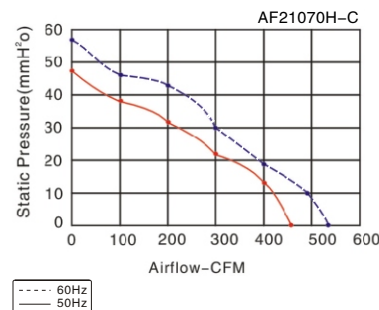
材料 Material

外框 Frame: Aluminum alloy
 风叶 Impeller: PA6 UL 94V-0 Reinforcee plastic
 马达 Motor: Capacitor-run induction motor
 连接方式Connection: Lead wire

开孔尺寸 Panel Cut-outs



曲线图 Characteristic Curves



技术参数 Specifications

Model (型号)	Bearing system (轴承型式)	Voltage VAC (电压)	Freq. Hz (频率)	Current A (电流)	Power W (功率)	Speed RPM (转速)	Noise dBA (噪音)	Air Flow(风量)		Phase (相数)	Capacitor (电容)
								M3/hr	CFM		
AF21070HA ₁ -C	Ball	100-120	50/60	0.6	65	2600/3000	70/65	780/890	459/529	1	3.3uf/250v
AF21070HA ₂ -C		200-240	50/60	0.3	65	2600/3000	70/65	780/890	459/529	1	1uf/500v
AF21070HA ₃ -C		380-420	50/60	0.16	65	2600/3000	70/65	780/890	459/529	1	1uf/500v
AF21070HA ₄ -C		380-420	50/60	0.15	65	2600/3000	70/65	780/890	459/529	3	/