

**产品说明 General Data**

耐压Dielectric withstand voltage: AC 1500V (50/60Hz) one minute  
 安全保护Protection: Impedance protection or thermal protection  
 工作温度Operating Temperature: Ball bearing: -20°C~+75°C  
 Sleeve bearing: -10°C~+70°C

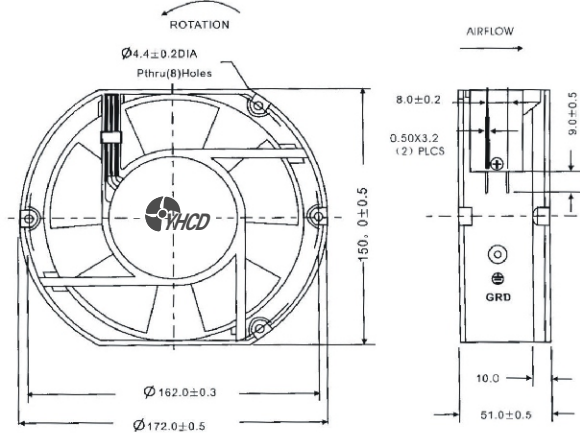
使用寿命Life Expectancy: Ball bearing: over 40000 hr. (At40°C)  
 Sleeve bearing: over 15000 hr. (At40°C)

安规认证Safety: UL>CUL>TUV>CE>CCC

重量Weight: 860g



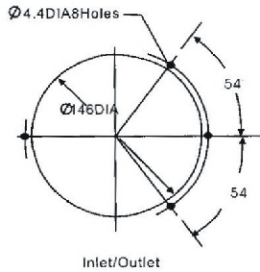
风量Airflow: 272 ~ 336m<sup>3</sup>/hr 160-198CFM



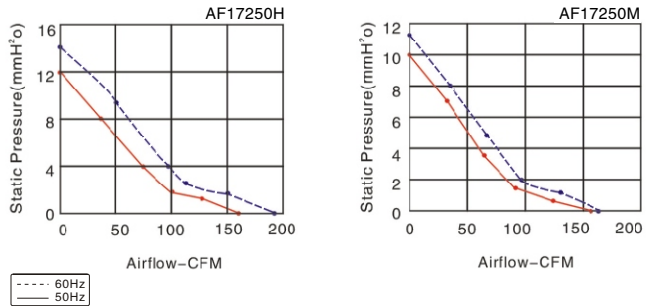
**材料 Material**

外框 Frame: Aluminum alloy  
 风叶 Impeller: Plastic 94V-0 PBT covering glass fiber  
 马达 Motor: Shaded pole induction motor  
 连接方式Connection: Lead wire or terminal type

**开孔尺寸 Panel Cut-outs**



**曲线图 Characteristic Curves**



**技术参数 Specifications**

Model (型号)	Bearing system (轴承型式)	Voltage VAC (电压)	Freq. Hz (频率)	Current A (电流)	Power W (功率)	Speed RPM (转速)	Noise dBA (噪音)	Air Flow( 风量 )		Phase (相数)	Capacitor (电容)
								M3/hr	CFM		
AF17250HA <sub>1</sub> S	Sleeve	100-120	50/60	0.4	38	2600/2900	54/59	229/336	176/198	1	/
AF17250HA <sub>2</sub> S		200-240	50/60	0.22	38	2600/2900	54/59	229/336	176/198	1	/
AF17250HA <sub>3</sub> S		380-420	50/60	0.12	38	2600/2900	54/59	229/336	176/198	1	/
AF17250HA <sub>1</sub> B	Ball	100-120	50/60	0.4	38	2600/2900	54/59	229/336	176/198	1	/
AF17250HA <sub>2</sub> B		200-240	50/60	0.22	38	2600/2900	54/59	229/336	176/198	1	/
AF17250HA <sub>3</sub> B		380-420	50/60	0.12	38	2600/2900	54/59	229/336	176/198	1	/
AF17250MA <sub>1</sub> S	Sleeve	100-120	50/60	0.35	35	2600/2900	49/54	272/300	160/176	1	/
AF17250MA <sub>2</sub> S		200-240	50/60	0.19	35	2600/2900	49/54	272/300	160/176	1	/
AF17250MA <sub>3</sub> S		380-420	50/60	0.12	35	2600/2900	49/54	272/300	160/176	1	/
AF17250MA <sub>1</sub> B	Ball	100-120	50/60	0.35	35	2600/2900	49/54	272/300	160/176	1	/
AF17250MA <sub>2</sub> B		200-240	50/60	0.19	35	2600/2900	49/54	272/300	160/176	1	/
AF17250MA <sub>3</sub> B		380-420	50/60	0.12	35	2600/2900	49/54	272/300	160/176	1	/