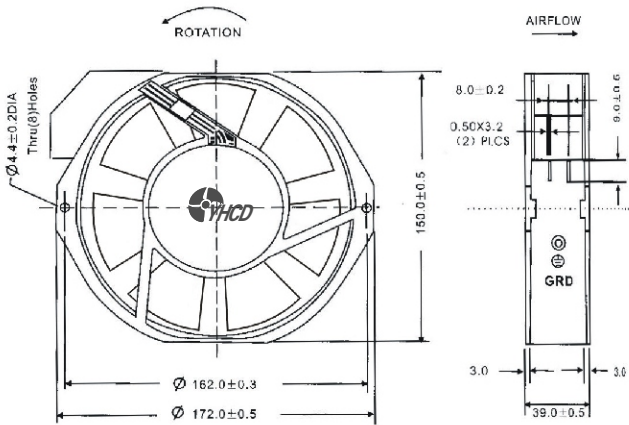


## 产品说明 General Data

耐压Dielectric withstand voltage: AC 1500V (50/60Hz) one minute  
 安全保护Protection: Impedance protection or thermal protection  
 工作温度Operating Temperature: Ball bearing: -20°C ~ +75°C  
 使用寿命Life Expectancy: Ball bearing: over 40000 hr. (At 40°C)  
 安规认证Safety: UL > CUL > TUV > CE > CCC  
 重量Weight: 655g

## 尺寸图 Outline

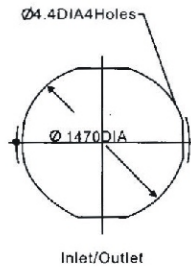


风量Airflow: 330 ~ 375 m<sup>3</sup>/hr 194 ~ 220 CFM  
 相同产品The some of product: **145FZY-S**

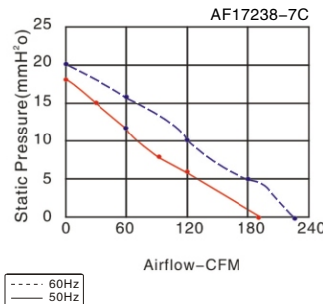
## 材料 Material

外框 Frame: Aluminum alloy  
 风叶 Impeller: Plastic 94V-0 PBT covering glass fiber  
 马达 Motor: Capacitor-run induction motor  
 连接方式 Connection: Lead wire or terminal type

## 开孔尺寸 Panel Cut-outs



## 曲线图 Characteristic Curves



## 技术参数 Specifications

Model (型号)	Bearing system (轴承型式)	Voltage VAC (电压)	Freq. Hz (频率)	Current A (电流)	Power W (功率)	Speed RPM (转速)	Noise dBA (噪音)	Air Flow( 风量 )		Phase (相数)	Capacitor (电容)
								M <sup>3</sup> /hr	CFM		
AF17238HA <sub>1</sub> B-7C	Ball	100-120	50/60	0.36	30	2600/3000	56/60	330/375	194/220	1	3.0uf/500v
AF17238HA <sub>2</sub> B-7C		200-240	50/60	0.18	30	2600/3000	56/60	330/375	194/220	1	1.0uf/500v
AF17238HA <sub>3</sub> B-7C		380-420	50/60	0.10	30	2600/3000	56/60	330/375	194/220	1	0.47uf/630v
AF17238HA <sub>4</sub> B-7C		380-420	50/60	0.08	30	2600/3000	56/60	330/375	194/220	3	/