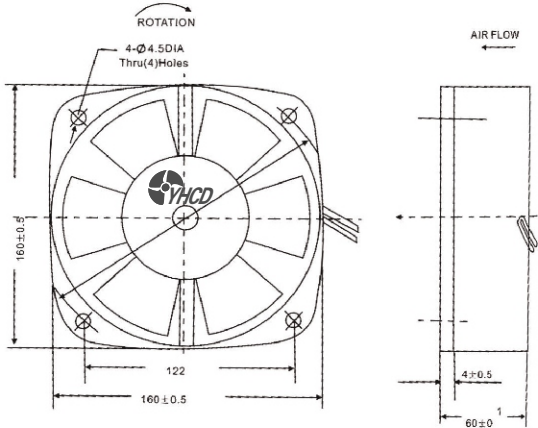


**产品说明 General Data**

耐压Dielectric withstand voltage: AC 1500V (50/60Hz) one minute  
 安全保护Protection: Impedance protection or thermal protection  
 工作温度Operating Temperature: Ball bearing: -10°C~+70°C  
 使用寿命Life Expectancy: Ball bearing: over 40000 hr. (At 40°C)  
 安规认证Safety: UL>CUL>TUV>CE>CCC  
 重量Weight: 900g



**尺寸图 Outline**

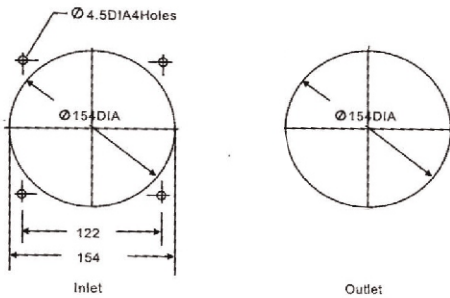


风量Airflow: 330 ~ 380m<sup>3</sup>/hr 194~223CFM  
 相同产品The some of product: **150FZY-D**

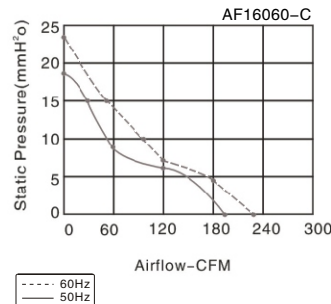
**材料 Material**

外框 Frame: Aluminum alloy  
 风叶 Impeller: PA6 UL 94V-0 Reinforcee plastic  
 马达 Motor: Capacitor-run induction motor  
 连接方式Connection: Lead wire

**开孔尺寸 Panel Cut-outs**



**曲线图 Characteristic Curves**



**技术参数 Specifications**

Model (型号)	Bearing system (轴承型式)	Voltage VAC (电压)	Freq. Hz (频率)	Current A (电流)	Power W (功率)	Speed RPM (转速)	Noise dBA (噪音)	Air Flow( 风量 )		Phase (相数)	Capacitor (电容)
								M3/hr	CFM		
AF16060HA <sub>1</sub> -C	Ball	100-120	50/60	0.32	30	2500/2800	65/68	330/380	194/223	1	3.0uf/500v
AF16060HA <sub>2</sub> -C	Ball	200-240	50/60	0.15	30	2500/2800	65/68	330/380	194/223	1	1.0uf/500v
AF16060HA <sub>3</sub> -C	Ball	380-420	50/60	0.10	30	2500/2800	65/68	330/380	194/223	1	0.47uf/630v
AF16060HA <sub>4</sub> -C	Ball	380-420	50/60	0.09	30	2500/2800	65/68	330/380	194/223	3	/